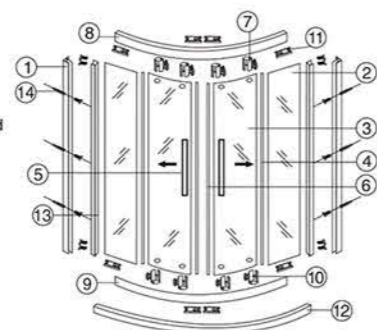
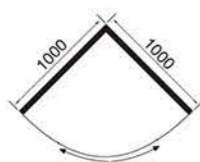




Model: ST-901
 扇形二圈二活推拉门 / Sliding door
 玻璃厚度: 6、8mm
 Thickness of the glass: 6、8mm
 玻璃花纹: 可选择丝印玻璃图案
 Patterns on the glass: selectable patterns
 材质: 铝材雕刻, 可选做玫瑰金或光金
 Frame of Material: Aluminum carving, Optional: Rose Gold, and Bright Gold
 Size: 1000 x 1000 x 1930mm
 900 x 900 x 1930mm
 可非标订做
 Customization Size Acceptable



- Name of Material / 材料名称**
- | | |
|--------------------------------------|--|
| ① Alum. Wall Jamb
靠墙铝材 | ⑧ Alum. Of Up Rail
上轨道铝材 |
| ② Fixed Glass
固定玻璃 | ⑨ Alum. Of Down Rail
下轨道铝材 |
| ③ Movable Glass
活动玻璃 | ⑩ Lower Wheel
下滑轮 |
| ④ Side Water Blocking Strip
侧挡水胶条 | ⑪ Positioning Plastic Piece
定位胶粒 |
| ⑤ Door Handles
门把 | ⑫ Artificial Marble Made Jamb Stone
人造大理石门踏 |
| ⑥ Magnetism Strip
磁性胶条 | ⑬ Round-head Tapping Screw
自攻螺丝 |
| ⑦ Upper Wheel
上滑轮 | ⑭ Expansion Plastic Piece
膨胀胶粒 |

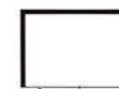
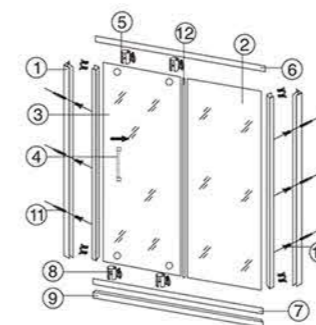
Model: ST-902

屏风一圆一活推拉门 / Sliding door
 玻璃厚度: 6、8mm
 Thickness of the glass: 6、8mm
 玻璃花纹: 可选择丝印玻璃图案
 Patterns on the glass: selectable patterns
 材质: 铝材雕刻, 可选做玫瑰金或光金
 Frame of Material: Aluminum carving, Optional: Rose Gold, and Bright Gold

可非标订做
 Customization Size Acceptable

Name of Material / 材料名称

- | | |
|-----------------------------------|--|
| ① Alum. Wall Jamb
靠墙铝材 | ⑥ Alum. Of Up Rail
上轨道铝材 |
| ② Fixed Glass
固定玻璃 | ⑦ Alum. Of Down Rail
下轨道铝材 |
| ③ Movable Glass
活动玻璃 | ⑧ Lower Wheel
下滑轮 |
| ④ Door Handles
门把 | ⑨ Artificial Marble Made Jamb Stone
人造大理石门踏 |
| ⑤ Upper Wheel
上滑轮 | ⑩ Round-head Tapping Screw
自攻螺丝 |
| ⑪ Expansion Plastic Piece
膨胀胶粒 | ⑫ The Central Cylinder
中柱 |



Bathroom Chair

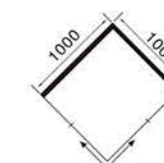
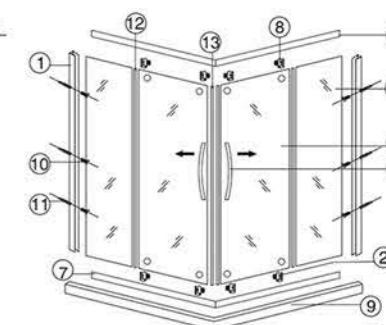


Model: ST-903

扇形二圈二活推拉门 / Sliding door
 玻璃厚度: 6、8mm / Thickness of the glass: 6、8mm
 玻璃花纹: 可选择丝印玻璃图案 / Patterns on the glass: selectable patterns
 材质: 304#不锈钢
 Texture of material: 304 Stainless steel
 Size: 1000 x 1000 x 1930mm
 900 x 900 x 1930mm
 可非标订做
 Customization Size Acceptable

Name of Material / 材料名称

- | | |
|-----------------------------------|--|
| ① Wall Stainless Steel
靠墙钢材 | ⑥ Up Rail Stainless Steel
上轨道钢材 |
| ② Lower Wheel
下滑轮 | ⑦ Down Rail Stainless Steel
下轨道钢材 |
| ③ Fixed Glass
固定玻璃 | ⑧ Upper Wheel
上滑轮 |
| ④ Movable Glass
活动玻璃 | ⑨ Artificial Marble Made Jamb Stone
人造大理石门踏 |
| ⑤ Door Handles
门把 | ⑩ Round-head Tapping Screw
自攻螺丝 |
| ⑪ Expansion Plastic Piece
膨胀胶粒 | ⑬ Magnetism Strip
磁性胶条 |
| ⑫ Water Blocking Strip
挡水胶条 | |



Bathroom Chair

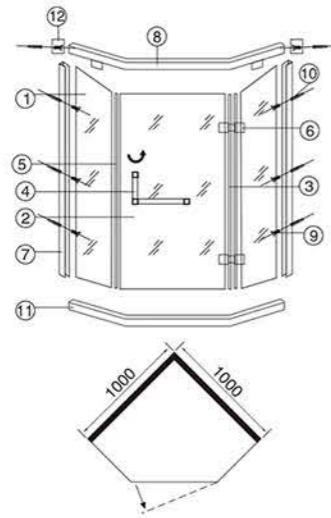
Model: ST-905

钻石形二扇一活推拉门 / Sliding door
 玻璃厚度: 8、10mm / Thickness of the glass: 8、10mm
 玻璃花纹: 可选择丝印玻璃图案 / Patterns on the glass: selectable patterns
 材质: 304#不锈钢
 Material: 304 stainless steel
 Size: 900 x 900 x 1930mm
 1000 x 1000 x 1930mm

可非标订做
 Customization Size Acceptable

Name of Material / 材料名称

- ① Fixed Glass 固定玻璃
- ② Movable Glass 活动玻璃
- ③ Side Water Blocking Strip 侧挡水胶条
- ④ Door Handles 门把
- ⑤ Magnetism Strip 磁性胶条
- ⑥ Copper Hinges 全铜合页
- ⑦ Wall Stainless Steel 靠墙不锈钢
- ⑧ Fixed Frame 固定支架
- ⑨ Round-head Tapping Screw 自攻螺丝
- ⑩ Expansion Plastic Piece 膨胀胶粒
- ⑪ Artificial Marble Made Jamb Stone 人造大理石门踏
- ⑫ Fixed Accessory 固定套



Bathroom Chair



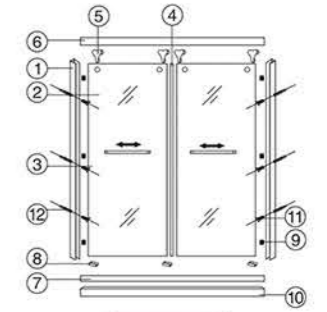
Model: ST-907

屏风二活推拉门 / Hanging Door
 玻璃厚度: 8、10mm / Thickness of the glass: 8、10mm
 玻璃花纹: 可选择丝印玻璃图案 / Patterns on the glass: selectable patterns
 材质: 304#不锈钢
 Texture of material: 304 Stainless steel

可非标订做
 Customization Size Acceptable

Name of Material / 材料名称

- ① Wall Stainless Steel 靠墙不锈钢
- ② Movable Glass 活动玻璃
- ③ Door Handles 门把
- ④ Magnetism Strip 磁性胶条
- ⑤ Upper Wheel 上滑轮
- ⑥ Up Rail Stainless Steel 上轨道不锈钢
- ⑦ Down Rail Stainless Steel 下轨道不锈钢
- ⑧ Slider 滑块
- ⑨ Bumper block 防撞块
- ⑩ Artificial Marble Made Jamb Stone 人造大理石门踏
- ⑪ Round-head Tapping Screw 自攻螺丝
- ⑫ Expansion Plastic Piece 膨胀胶粒



Bathroom Chair



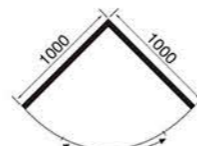
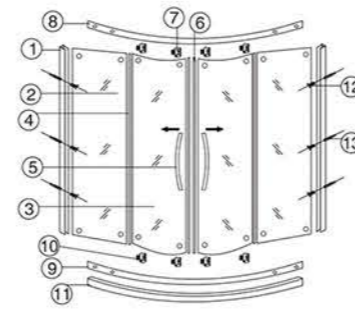
Model: ST-906

扇形二扇二活推拉门 / Sliding door
 玻璃厚度: 6、8mm / Thickness of the glass: 6、8mm
 玻璃花纹: 可选择丝印玻璃图案 / Patterns on the glass: selectable patterns
 材质: 304#不锈钢
 Texture of material: 304 Stainless steel
 Size: 1000 x 1000 x 1930mm
 900 x 900 x 1930mm

可非标订做
 Customization Size Acceptable

Name of Material / 材料名称

- ① Wall Stainless Steel 靠墙不锈钢
- ② Fixed Glass 固定玻璃
- ③ Movable Glass 活动玻璃
- ④ Side Water Blocking Strip 侧挡水胶条
- ⑤ Door Handles 门把
- ⑥ Magnetism Strip 磁性胶条
- ⑦ Upper Wheel 上滑轮
- ⑧ Up Rail Stainless Steel 上轨道钢材
- ⑨ Down Rail Stainless Steel 下轨道钢材
- ⑩ Lower Wheel 下滑轮
- ⑪ Artificial Marble Made Jamb Stone 人造大理石门踏
- ⑫ Round-head Tapping Screw 自攻螺丝
- ⑬ Expansion Plastic Piece 膨胀胶粒



Bathroom Chair

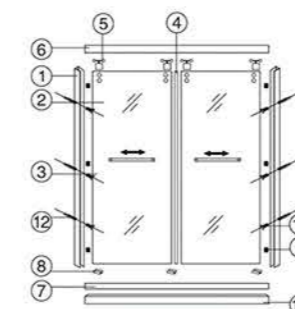
Model: ST-908

屏风二活推拉门 / Hanging Door
 玻璃厚度: 8、10mm / Thickness of the glass: 8、10mm
 玻璃花纹: 可选择丝印玻璃图案 / Patterns on the glass: selectable patterns
 材质: 304#不锈钢
 Texture of material: 304 Stainless steel

可非标订做
 Customization Size Acceptable

Name of Material / 材料名称

- ① Wall Stainless Steel 靠墙不锈钢
- ② Movable Glass 活动玻璃
- ③ Door Handles 门把
- ④ Magnetism Strip 磁性胶条
- ⑤ Upper Wheel 上滑轮
- ⑥ Up Rail Stainless Steel 上轨道不锈钢
- ⑦ Down Rail Stainless Steel 下轨道不锈钢
- ⑧ Slider 滑块
- ⑨ Bumper block 防撞块
- ⑩ Artificial Marble Made Jamb Stone 人造大理石门踏
- ⑪ Round-head Tapping Screw 自攻螺丝
- ⑫ Expansion Plastic Piece 膨胀胶粒



Bathroom Chair





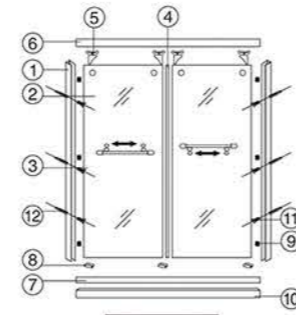
Model: ST-909

屏风二活推拉门 / Hanging Door
 玻璃厚度: 8、10mm / Thickness of the glass: 8、10mm
 玻璃花纹: 可选择丝印玻璃图案 / Patterns on the glass: selectable patterns
 材质: 304#不锈钢
 Texture of material: 304 Stainless steel

可非标订做
 Customization Size Acceptable

Name of Material / 材料名称

- ① Wall Stainless Steel 靠墙不锈钢
- ② Movable Glass 活动玻璃
- ③ Door Handles 门把
- ④ Magnetism Strip 磁性胶条
- ⑤ Upper Wheel 上滑轮
- ⑥ Up Rail Stainless Steel 上轨道不锈钢
- ⑦ Down Rail Stainless Steel 下轨道不锈钢
- ⑧ Slider 滑块
- ⑨ Bumper block 防撞块
- ⑩ Artificial Marble Made Jamb Stone 人造大理石门踏
- ⑪ Round-head Tapping Screw 自攻螺丝
- ⑫ Expansion Plastic Piece 膨胀胶粒



Bathroom Chair



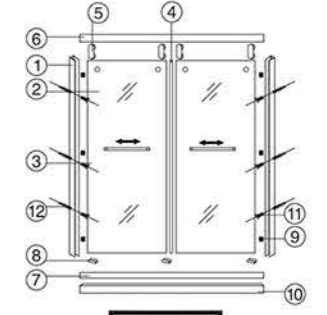
Model: ST-911

屏风二活推拉门 / Hanging Door
 玻璃厚度: 8、10mm / Thickness of the glass: 8、10mm
 玻璃花纹: 可选择丝印玻璃图案 / Patterns on the glass: selectable patterns
 材质: 304#不锈钢
 Texture of material: 304 Stainless steel

可非标订做
 Customization Size Acceptable

Name of Material / 材料名称

- ① Wall Stainless Steel 靠墙不锈钢
- ② Movable Glass 活动玻璃
- ③ Door Handles 门把
- ④ Magnetism Strip 磁性胶条
- ⑤ Upper Wheel 上滑轮
- ⑥ Up Rail Stainless Steel 上轨道不锈钢
- ⑦ Down Rail Stainless Steel 下轨道不锈钢
- ⑧ Slider 滑块
- ⑨ Bumper block 防撞块
- ⑩ Artificial Marble Made Jamb Stone 人造大理石门踏
- ⑪ Round-head Tapping Screw 自攻螺丝
- ⑫ Expansion Plastic Piece 膨胀胶粒



Bathroom Chair

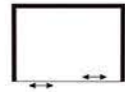
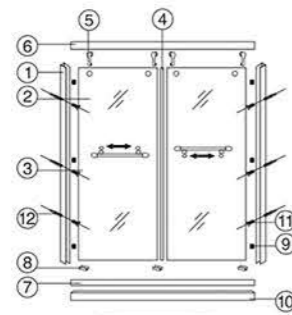
Model: ST-910

屏风二活推拉门 / Hanging Door
 玻璃厚度: 8、10mm / Thickness of the glass: 8、10mm
 玻璃花纹: 可选择丝印玻璃图案 / Patterns on the glass: selectable patterns
 材质: 304#不锈钢
 Texture of material: 304 Stainless steel

可非标订做
 Customization Size Acceptable

Name of Material / 材料名称

- ① Wall Stainless Steel 靠墙不锈钢
- ② Movable Glass 活动玻璃
- ③ Door Handles 门把
- ④ Magnetism Strip 磁性胶条
- ⑤ Upper Wheel 上滑轮
- ⑥ Up Rail Stainless Steel 上轨道不锈钢
- ⑦ Down Rail Stainless Steel 下轨道不锈钢
- ⑧ Slider 滑块
- ⑨ Bumper block 防撞块
- ⑩ Artificial Marble Made Jamb Stone 人造大理石门踏
- ⑪ Round-head Tapping Screw 自攻螺丝
- ⑫ Expansion Plastic Piece 膨胀胶粒



Bathroom Chair



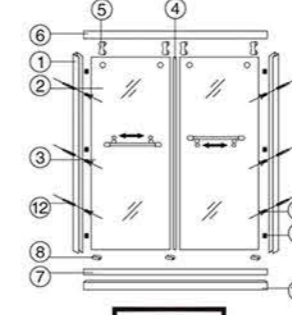
Model: ST-912

屏风二活推拉门 / Hanging Door
 玻璃厚度: 8、10mm / Thickness of the glass: 8、10mm
 玻璃花纹: 可选择丝印玻璃图案 / Patterns on the glass: selectable patterns
 材质: 304#不锈钢
 Texture of material: 304 Stainless steel

可非标订做
 Customization Size Acceptable

Name of Material / 材料名称

- ① Wall Stainless Steel 靠墙不锈钢
- ② Movable Glass 活动玻璃
- ③ Door Handles 门把
- ④ Magnetism Strip 磁性胶条
- ⑤ Upper Wheel 上滑轮
- ⑥ Up Rail Stainless Steel 上轨道不锈钢
- ⑦ Down Rail Stainless Steel 下轨道不锈钢
- ⑧ Slider 滑块
- ⑨ Bumper block 防撞块
- ⑩ Artificial Marble Made Jamb Stone 人造大理石门踏
- ⑪ Round-head Tapping Screw 自攻螺丝
- ⑫ Expansion Plastic Piece 膨胀胶粒



Bathroom Chair



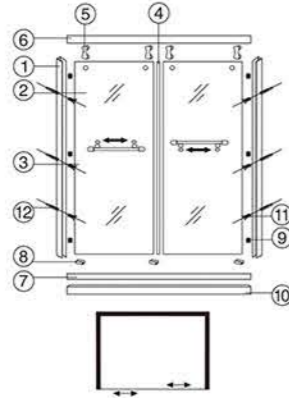
Model: ST-913

屏风二活推拉门 / Hanging Door
 玻璃厚度: 8、10mm / Thickness of the glass: 8、10mm
 玻璃花纹: 可选择丝印玻璃图案 / Patterns on the glass: selectable patterns
 材质: 304#不锈钢
 Texture of material: 304 Stainless steel

可非标订做
 Customization Size Acceptable

Name of Material / 材料名称

- ① Wall Stainless Steel 靠墙不锈钢
- ② Movable Glass 活动玻璃
- ③ Door Handles 门把
- ④ Magnetism Strip 磁性胶条
- ⑤ Upper Wheel 上滑轮
- ⑥ Up Rail Stainless Steel 上轨道不锈钢
- ⑦ Down Rail Stainless Steel 下轨道不锈钢
- ⑧ Slider 滑块
- ⑨ Bumper block 防撞块
- ⑩ Artificial Marble Made Jamb Stone 人造大理石门踏
- ⑪ Round-head Tapping Screw 自攻螺丝
- ⑫ Expansion Plastic Piece 膨胀胶粒



Bathroom Chair



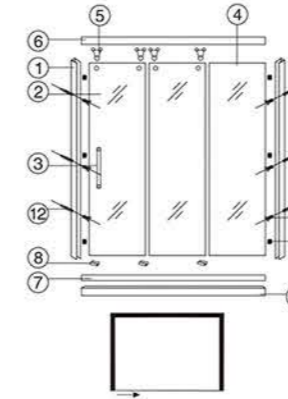
Model: ST-916

屏风一圆二活连动门 / Hanging Door
 玻璃厚度: 8、10mm / Thickness of the glass: 8、10mm
 玻璃花纹: 可选择丝印玻璃图案 / Patterns on the glass: selectable patterns
 材质: 304#不锈钢
 Texture of material: 304 Stainless steel

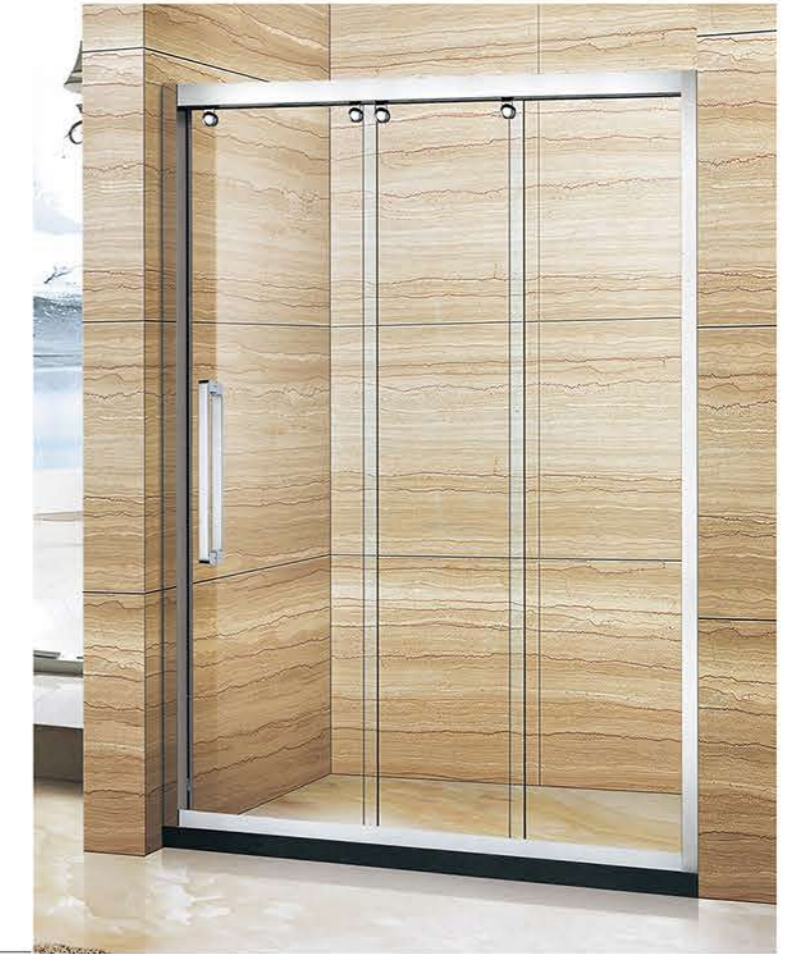
可非标订做
 Customization Size Acceptable

Name of Material / 材料名称

- ① Wall Stainless Steel 靠墙不锈钢
- ② Movable Glass 活动玻璃
- ③ Door Handles 门把
- ④ Magnetism Strip 磁性胶条
- ⑤ Upper Wheel 上滑轮
- ⑥ Up Rail Stainless Steel 上轨道不锈钢
- ⑦ Down Rail Stainless Steel 下轨道不锈钢
- ⑧ Slider 滑块
- ⑨ Bumper block 防撞块
- ⑩ Artificial Marble Made Jamb Stone 人造大理石门踏
- ⑪ Round-head Tapping Screw 自攻螺丝
- ⑫ Expansion Plastic Piece 膨胀胶粒



Bathroom Chair



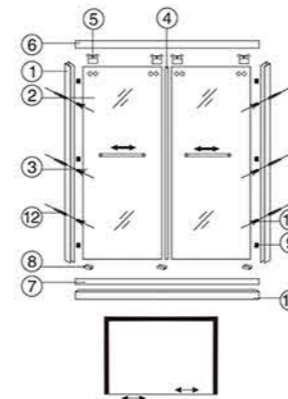
Model: ST-915

屏风二活推拉门 / Hanging Door
 玻璃厚度: 8、10mm / Thickness of the glass: 8、10mm
 玻璃花纹: 可选择丝印玻璃图案 / Patterns on the glass: selectable patterns
 材质: 304#不锈钢
 Texture of material: 304 Stainless steel

可非标订做
 Customization Size Acceptable

Name of Material / 材料名称

- ① Wall Stainless Steel 靠墙不锈钢
- ② Movable Glass 活动玻璃
- ③ Door Handles 门把
- ④ Magnetism Strip 磁性胶条
- ⑤ Upper Wheel 上滑轮
- ⑥ Up Rail Stainless Steel 上轨道不锈钢
- ⑦ Down Rail Stainless Steel 下轨道不锈钢
- ⑧ Slider 滑块
- ⑨ Bumper block 防撞块
- ⑩ Artificial Marble Made Jamb Stone 人造大理石门踏
- ⑪ Round-head Tapping Screw 自攻螺丝
- ⑫ Expansion Plastic Piece 膨胀胶粒



Bathroom Chair



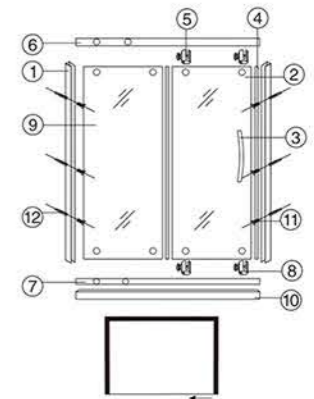
Model: ST-917

屏风一圆一活推拉门 / Hanging Door
 玻璃厚度: 6、8mm / Thickness of the glass: 6、8mm
 玻璃花纹: 可选择丝印玻璃图案 / Patterns on the glass: selectable patterns
 材质: 304#不锈钢
 Texture of material: 304 Stainless steel

可非标订做
 Customization Size Acceptable

Name of Material / 材料名称

- ① Wall Stainless Steel 靠墙不锈钢
- ② Movable Glass 活动玻璃
- ③ Door Handles 门把
- ④ Magnetism Strip 磁性胶条
- ⑤ Upper Wheel 上滑轮
- ⑥ Up Rail Stainless Steel 上轨道不锈钢
- ⑦ Down Rail Stainless Steel 下轨道不锈钢
- ⑧ Lower Wheel 下滑轮
- ⑨ Fixed Glass 固定玻璃
- ⑩ Artificial Marble Made Jamb Stone 人造大理石门踏
- ⑪ Round-head Tapping Screw 自攻螺丝
- ⑫ Expansion Plastic Piece 膨胀胶粒



Bathroom Chair



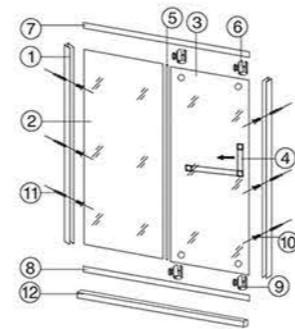
Model: ST-918

屏风一固一活推拉门 / Sliding door
 玻璃厚度: 8、10mm / Thickness of the glass: 8、10mm
 玻璃花纹: 可选择丝印玻璃图案 / Patterns on the glass: selectable patterns
 材质: 304#不锈钢
 Texture of material: 304 Stainless steel

可非标订做
 Customization Size Acceptable

Name of Material / 材料名称

- ① Wall Stainless Steel 靠墙不锈钢
- ② Fixed Glass 固定玻璃
- ③ Movable Glass 活动玻璃
- ④ Door Handles 门把
- ⑤ Magnetism Strip 磁性胶条
- ⑥ Upper Wheel 上滑轮
- ⑦ Up Rail Stainless Steel 上轨道不锈钢
- ⑧ Down Rail Stainless Steel 下轨道不锈钢
- ⑨ Lower Wheel 下滑轮
- ⑩ Round-head Tapping Screw 自攻螺丝
- ⑪ Expansion Plastic Piece 膨胀胶粒
- ⑫ Artificial Marble Made Jamb Stone 人造大理石门踏



Bathroom Chair



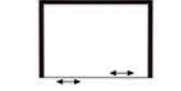
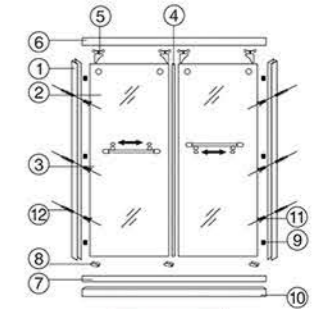
Model: ST-920

屏风二活推拉门 / Hanging Door
 玻璃厚度: 8、10mm / Thickness of the glass: 8、10mm
 玻璃花纹: 可选择丝印玻璃图案 / Patterns on the glass: selectable patterns
 材质: 304#不锈钢玫瑰金蚀刻
 Texture of material: 304 Stainless steel

可非标订做
 Customization Size Acceptable

Name of Material / 材料名称

- ① Wall Stainless Steel 靠墙不锈钢
- ② Movable Glass 活动玻璃
- ③ Door Handles 门把
- ④ Magnetism Strip 磁性胶条
- ⑤ Upper Wheel 上滑轮
- ⑥ Up Rail Stainless Steel 上轨道不锈钢
- ⑦ Down Rail Stainless Steel 下轨道不锈钢
- ⑧ Slider 滑块
- ⑨ Bumper block 防撞块
- ⑩ Artificial Marble Made Jamb Stone 人造大理石门踏
- ⑪ Round-head Tapping Screw 自攻螺丝
- ⑫ Expansion Plastic Piece 膨胀胶粒



Bathroom Chair

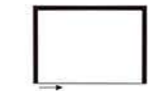
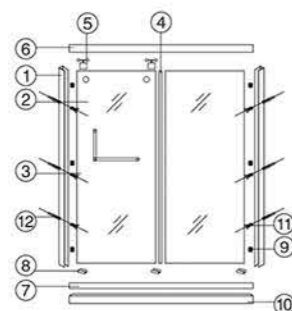
Model: ST-919

屏风一固一活推拉门 / Hanging Door
 玻璃厚度: 8、10mm / Thickness of the glass: 8、10mm
 玻璃花纹: 可选择丝印玻璃图案 / Patterns on the glass: selectable patterns
 材质: 304#不锈钢
 Texture of material: 304 Stainless steel

可非标订做
 Customization Size Acceptable

Name of Material / 材料名称

- ① Wall Stainless Steel 靠墙不锈钢
- ② Movable Glass 活动玻璃
- ③ Door Handles 门把
- ④ Magnetism Strip 磁性胶条
- ⑤ Upper Wheel 上滑轮
- ⑥ Up Rail Stainless Steel 上轨道不锈钢
- ⑦ Down Rail Stainless Steel 下轨道不锈钢
- ⑧ Slider 滑块
- ⑨ Bumper block 防撞块
- ⑩ Artificial Marble Made Jamb Stone 人造大理石门踏
- ⑪ Round-head Tapping Screw 自攻螺丝
- ⑫ Expansion Plastic Piece 膨胀胶粒



Bathroom Chair



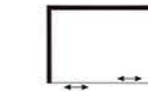
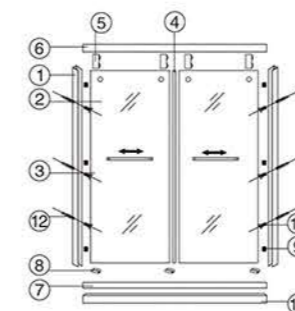
Model: ST-921

屏风二活推拉门 / Hanging Door
 玻璃厚度: 8、10mm / Thickness of the glass: 8、10mm
 玻璃花纹: 可选择丝印玻璃图案 / Patterns on the glass: selectable patterns
 材质: 304#不锈钢玫瑰金蚀刻
 Texture of material: 304 Stainless steel

可非标订做
 Customization Size Acceptable

Name of Material / 材料名称

- ① Wall Stainless Steel 靠墙不锈钢
- ② Movable Glass 活动玻璃
- ③ Door Handles 门把
- ④ Magnetism Strip 磁性胶条
- ⑤ Upper Wheel 上滑轮
- ⑥ Up Rail Stainless Steel 上轨道不锈钢
- ⑦ Down Rail Stainless Steel 下轨道不锈钢
- ⑧ Slider 滑块
- ⑨ Bumper block 防撞块
- ⑩ Artificial Marble Made Jamb Stone 人造大理石门踏
- ⑪ Round-head Tapping Screw 自攻螺丝
- ⑫ Expansion Plastic Piece 膨胀胶粒



Bathroom Chair

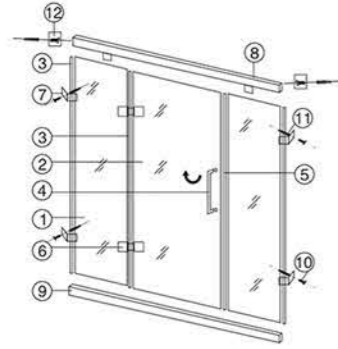


Model: ST-922

屏风二合一活合页门 / Hanging Door
 玻璃厚度: 8、10mm / Thickness of the glass: 8、10mm
 玻璃花纹: 可选择丝印玻璃图案 / Patterns on the glass: selectable patterns
 材质: 304#不锈钢钛金
 Material: 304 stainless steel
 可非标订做
 Customization Size Acceptable

Name of Material / 材料名称

- ① Fixed Glass 固定玻璃
- ② Movable Glass 活动玻璃
- ③ Side Water Blocking Strip 侧挡水胶条
- ④ Door Handles 门把
- ⑤ Magnetism Strip 磁性胶条
- ⑥ Copper Hinges 全铜合页
- ⑦ Glass Connector 角码
- ⑧ Fixed Frame 固定支架
- ⑨ Artificial Marble Made Jamb Stone 人造大理石门脚
- ⑩ Round-head Tapping Screw 自攻螺丝
- ⑪ Expansion Plastic Piece 膨胀胶粒
- ⑫ Fixed Accessory 固定套



Bathroom Chair



虽然浴室在过去几年中并非变化大,但对家居感设计和使用水享受体验,需求的增加呼唤新的创意诞生……无论是建筑设计方面还是产品方面,淋浴区的空间越来越大,成为浴室新的核心区域。玻璃和镀铬金属制成的高光表面使其成为无可争议的焦点,同事也使得淋浴房能够和谐融入到瓷砖、浴室柜与浴镜组成的整体形象设计中。

Although the bathroom has no too much changed in the past few years, But the home sense of design and water enjoy experience. Demand increased calls for new idea was born. Both architectural design and product. The shower space is more and more bigger, become the new core area of bathroom. High light surface made of glass and chrome metal become the undoubted focus. At the same time, the shower room can harmoniously into tiles, bathroom cabinets and bathroom mirror composed of the overall image of the design.

淋浴房与房间的融合在现代化浴室设计中占有决定性的角色。无论是通过干湿区域的完美过渡,还是通过玻璃隔断塑造鲜明的界限。这样便实现了每间浴室完美的淋浴享受,无论浴室空间的实际大小,淋浴房都自然而然的成为核心区域。

The fusion of shower room and room occupies decisive role in modern bathroom design. Both the corridor and the shower room, which ground same level with room, to achieve a perfect transition of wet and dry areas, or shape boundaries by the glass partition. Every bathroom will achieve perfect shower enjoying. No matter what the exact size of the bathroom, the shower room will become the center naturally.

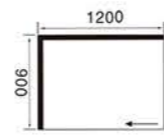
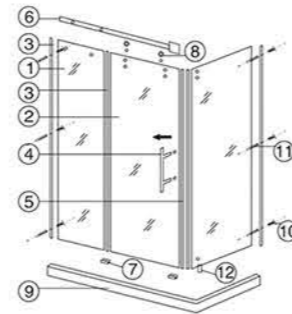
Model: ST-813

方形一活推拉门 / sliding door
 玻璃厚度: 6、8mm / Thickness of the glass: 6、8mm
 玻璃花纹: 可选择丝印玻璃图案 / Patterns on the glass: selectable patterns
 材质: 304#不锈钢
 Texture of material: 304 Stainless steel
 Size: 1200 x 900 x 1930mm
 1200 x 800 x 1930mm

可非标订做
 Customization Size Acceptable

Name of Material / 材料名称

- ① Fixed Glass 固定玻璃
- ② Movable Glass 活动玻璃
- ③ Wall Stainless Steel 靠墙钢材
- ④ Door Handles 门把
- ⑤ Magnetism Strip 磁性胶条
- ⑥ Up Rail Stainless Steel 上轨道钢材
- ⑦ Slider 滑块
- ⑧ Wheel 滑轮
- ⑨ Artificial Marble Made Jamb Stone 人造大理石门脚
- ⑩ Round-head Tapping Screw 自攻螺丝
- ⑪ Expansion Plastic Piece 膨胀胶粒
- ⑫ Glass Connector 角码



Bathroom Chair



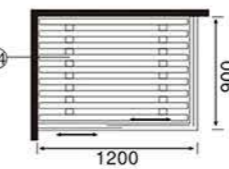
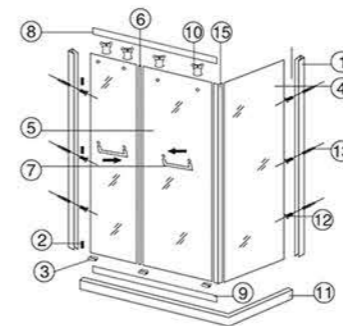
Model: ST-868

方形双开推拉门 / sliding door
 玻璃厚度: 6、8mm / Thickness of the glass: 6、8mm
 玻璃花纹: 可选择丝印玻璃图案 / Patterns on the glass: selectable patterns
 材质: 304#不锈钢
 Texture of material: 304 Stainless steel
 Size: 1200 x 900 x 1930mm

可非标订做
 Customization Size Acceptable

Name of Material / 材料名称

- ① Wall Stainless Steel 靠墙钢材
- ② Bumper block 防撞块
- ③ Slider 滑块
- ④ Fixed Glass 固定玻璃
- ⑤ Movable Glass 活动玻璃
- ⑥ Water Blocking Strip 挡水胶条
- ⑦ Door Handles 门把
- ⑧ Up Rail Stainless Steel 上轨道钢材
- ⑨ Down Rail Stainless Steel 下轨道钢材
- ⑩ Silent Chain Wheel 静音滑轮
- ⑪ Artificial Marble Made Jamb Stone 人造大理石门脚
- ⑫ Round-head Tapping Screw 自攻螺丝
- ⑬ Expansion Plastic Piece 膨胀胶粒
- ⑭ Finland wood shower tray 芬兰木底座
- ⑮ The Central Cylinder 中柱



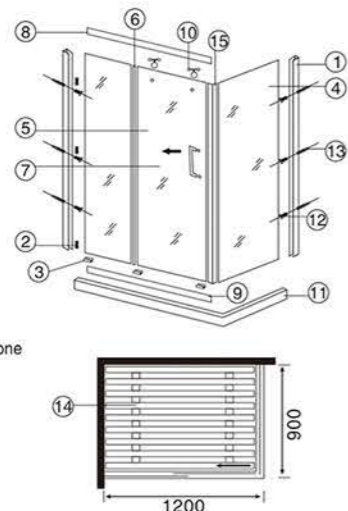
Model: ST-870

方形双开推拉门 / sliding door
 玻璃厚度: 6、8mm / Thickness of the glass: 6、8mm
 玻璃花纹: 可选择丝印玻璃图案 / Patterns on the glass: selectable patterns
 材质: 304#不锈钢
 Texture of material: 304 Stainless steel
 Size: 1200 x 900 x 1930mm

可非标订做
 Customization Size Acceptable

Name of Material / 材料名称

- ① Wall Stainless Steel 靠墙钢材
- ② Shockproof Strip 防撞块
- ③ Shockproof Strip 滑块
- ④ Fixed Glass 固定玻璃
- ⑤ Movable Glass 活动玻璃
- ⑥ Water Blocking Strip 挡水胶条
- ⑦ Door Handles 门把
- ⑧ Up Rail Stainless Steel 上轨道钢材
- ⑨ Down Rail Stainless Steel 下轨道钢材
- ⑩ Silent Chain Wheel 静音滑轮
- ⑪ Artificial Marble Made Jamb Stone 人造大理石门踏
- ⑫ Round-head Tapping Screw 自攻螺丝
- ⑬ Expansion Plastic Piece 膨胀胶粒
- ⑭ Finland wood shower tray 芬兰木底座
- ⑮ The Central Cylinder 中柱



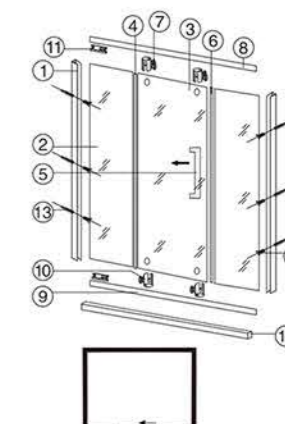
Model: ST-882 趟门

屏风二扇一活推拉门 / Sliding door
 玻璃厚度: 6、8mm / Thickness of the glass: 6、8mm
 玻璃花纹: 可选择丝印玻璃图案 / Patterns on the glass: selectable patterns
 材质: 304#不锈钢
 Texture of material: 304 Stainless steel

可非标订做
 Customization Size Acceptable

Name of Material / 材料名称

- ① Wall Stainless Steel 靠墙不锈钢
- ② Fixed Glass 固定玻璃
- ③ Movable Glass 活动玻璃
- ④ Side Water Blocking Strip 侧挡水胶条
- ⑤ Door Handles 门把
- ⑥ Magnetism Strip 磁性胶条
- ⑦ Upper Wheel 上滑轮
- ⑧ Up Rail Stainless Steel 上轨道不锈钢
- ⑨ Down Rail Stainless Steel 下轨道不锈钢
- ⑩ Lower Wheel 下滑轮
- ⑪ Positioning Plastic Piece 定位胶粒
- ⑫ Round-head Tapping Screw 自攻螺丝
- ⑬ Expansion Plastic Piece 膨胀胶粒
- ⑭ Artificial Marble Made Jamb Stone 人造大理石门踏



Bathroom Chair



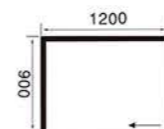
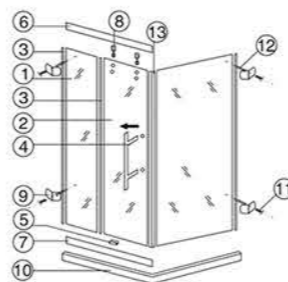
Model: ST-871

方形一扇一活推拉门 / sliding door
 玻璃厚度: 6、8mm / Thickness of the glass: 6、8mm
 玻璃花纹: 可选择丝印玻璃图案 / Patterns on the glass: selectable patterns
 材质: 304#不锈钢
 Texture of material: 304 Stainless steel
 Size: 1200 x 900 x 1930mm
 1200 x 800 x 1930mm

可非标订做
 Customization Size Acceptable

Name of Material / 材料名称

- ① Fixed Glass 固定玻璃
- ② Movable Glass 活动玻璃
- ③ Side Water Blocking Strip 侧挡水胶条
- ④ Door Handles 门把
- ⑤ Slider 滑块
- ⑥ Fixed Frame 固定支架
- ⑦ Down Rail Stainless Steel 下轨道钢材
- ⑧ Wheel 滑轮
- ⑨ Glass Connector 角码
- ⑩ Artificial Marble Made Jamb Stone 人造大理石门踏
- ⑪ Round-head Tapping Screw 自攻螺丝
- ⑫ Expansion Plastic Piece 膨胀胶粒
- ⑬ The Central Cylinder 中柱



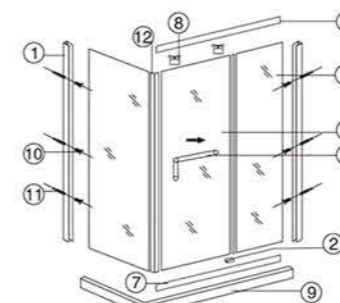
Bathroom Chair

Model: ST-872 不锈钢

方形一扇一活推拉门 / sliding door
 玻璃厚度: 6、8mm / Thickness of the glass: 6、8mm
 玻璃花纹: 可选择丝印玻璃图案 / Patterns on the glass: selectable patterns
 材质: 304#不锈钢
 Texture of material: 304 Stainless steel
 Size: 1200 x 900 x 1930mm
 1200 x 800 x 1930mm

Name of Material / 材料名称

- ① Wall Stainless Steel 靠墙钢材
- ② Slider 滑块
- ③ Fixed Glass 固定玻璃
- ④ Movable Glass 活动玻璃
- ⑤ Door Handles 门把
- ⑥ Up Rail Stainless Steel 上轨道钢材
- ⑦ Down Rail Stainless Steel 下轨道钢材
- ⑧ Upper Wheel 上滑轮
- ⑨ Artificial Marble Made Jamb Stone 人造大理石门踏
- ⑩ Round-head Tapping Screw 自攻螺丝
- ⑪ Expansion Plastic Piece 膨胀胶粒
- ⑫ The Central Cylinder 中柱



Bathroom Chair

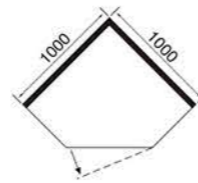
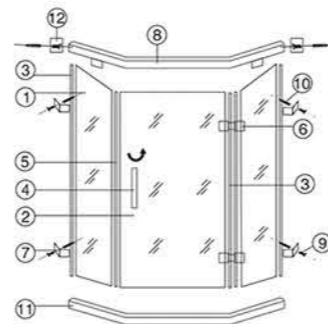




Model: ST-818
 钻石形二固一活推拉门 / Sliding door
 玻璃厚度: 8mm / Thickness of the glass: 8mm
 玻璃花纹: 可选择丝印玻璃图案 / Patterns on the glass: selectable patterns
 材质: 304#不锈钢
 Material: 304 stainless steel
 Size: 900 × 900 × 1930mm
 1000 × 1000 × 1930mm

Name of Material / 材料名称

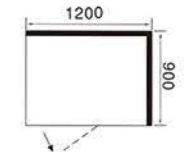
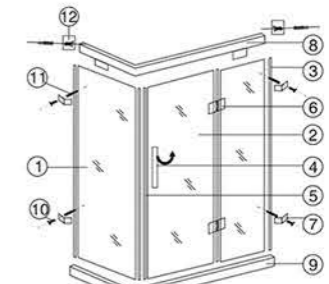
- ① Fixed Glass 固定玻璃
- ② Movable Glass 活动玻璃
- ③ Side Water Blocking Strip 侧挡水胶条
- ④ Door Handles 门把
- ⑤ Magnetism Strip 磁性胶条
- ⑥ Copper Hinges 全铜合页
- ⑦ Glass Connector 角码
- ⑧ Fixed Frame 固定支架
- ⑨ Round-head Tapping Screw 自攻螺丝
- ⑩ Expansion Plastic Piece 膨胀胶粒
- ⑪ Artificial Marble Made Jamb Stone 人造大理石门踏
- ⑫ Fixed Accessory 固定套



Model: ST-820
 方形二固一活推拉门 / Sliding door
 玻璃厚度: 8mm / Thickness of the glass: 8mm
 玻璃花纹: 可选择丝印玻璃图案 / Patterns on the glass: selectable patterns
 材质: 304#不锈钢
 Material: 304 stainless steel
 Size: 1200 × 900 × 1930mm / 1200 × 800 × 1930mm / 1000 × 900 × 1930mm
 1000 × 800 × 1930mm
 可非标订做
 Customization Size Acceptable

Name of Material / 材料名称

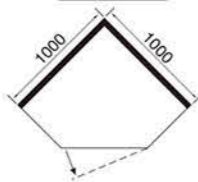
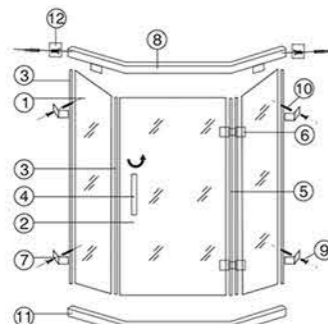
- ① Fixed Glass 固定玻璃
- ② Movable Glass 活动玻璃
- ③ Side Water Blocking Strip 侧挡水胶条
- ④ Door Handles 门把
- ⑤ Magnetism Strip 磁性胶条
- ⑥ Copper Hinges 全铜合页
- ⑦ Glass Connector 角码
- ⑧ Fixed Frame 固定支架
- ⑨ Artificial Marble Made Jamb Stone 人造大理石门踏
- ⑩ Round-head Tapping Screw 自攻螺丝
- ⑪ Expansion Plastic Piece 膨胀胶粒
- ⑫ Fixed Accessory 固定套



Model: ST-819
 钻石形二固一活推拉门 / Sliding door
 玻璃厚度: 8mm / Thickness of the glass: 8mm
 玻璃花纹: 可选择丝印玻璃图案 / Patterns on the glass: selectable patterns
 材质: 304#不锈钢
 Material: 304 stainless steel
 Size: 900 × 900 × 1930mm
 1000 × 1000 × 1930mm

Name of Material / 材料名称

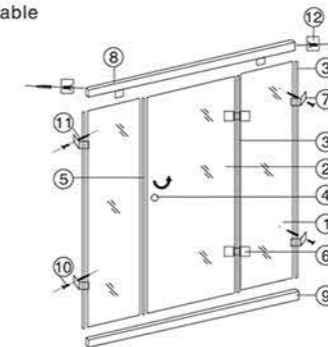
- ① Fixed Glass 固定玻璃
- ② Movable Glass 活动玻璃
- ③ Side Water Blocking Strip 侧挡水胶条
- ④ Door Handles 门把
- ⑤ Magnetism Strip 磁性胶条
- ⑥ Copper Hinges 全铜合页
- ⑦ Glass Connector 角码
- ⑧ Fixed Frame 固定支架
- ⑨ Round-head Tapping Screw 自攻螺丝
- ⑩ Expansion Plastic Piece 膨胀胶粒
- ⑪ Artificial Marble Made Jamb Stone 人造大理石门踏
- ⑫ Fixed Accessory 固定套



订做A 趟门
OEM A Shower enclosure
 屏风二固一活推拉门 / Sliding door
 玻璃厚度: 8mm / Thickness of the glass: 8mm
 玻璃花纹: 可选择丝印玻璃图案 / Patterns on the glass: selectable patterns
 材质: 304#不锈钢
 Material: 304 stainless steel
 可非标订做
 Customization Size Acceptable

Name of Material / 材料名称

- ① Fixed Glass 固定玻璃
- ② Movable Glass 活动玻璃
- ③ Side Water Blocking Strip 侧挡水胶条
- ④ Door Handles 门把
- ⑤ Magnetism Strip 磁性胶条
- ⑥ Copper Hinges 全铜合页
- ⑦ Glass Connector 角码
- ⑧ Fixed Frame 固定支架
- ⑨ Artificial Marble Made Jamb Stone 人造大理石门踏
- ⑩ Round-head Tapping Screw 自攻螺丝
- ⑪ Expansion Plastic Piece 膨胀胶粒
- ⑫ Fixed Accessory 固定套

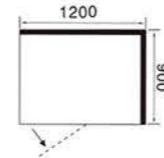
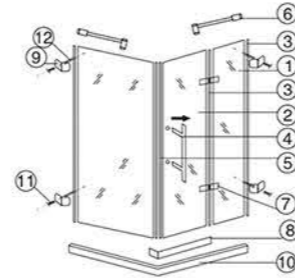




Model: ST-873
 方形一固二合页门 / sliding door
 玻璃厚度: 6、8mm / Thickness of the glass: 6、8mm
 玻璃花纹: 可选择丝印玻璃图案 / Patterns on the glass: selectable patterns
 材质: 304# 不锈钢
 Texture of material: 304 Stainless steel
 Size: 1200 x 900 x 1930mm
 1200 x 800 x 1930mm

Name of Material / 材料名称

- ① Fixed Glass 固定玻璃
- ② Movable Glass 活动玻璃
- ③ Side Water Blocking Strip 侧挡水胶条
- ④ Door Handles 门把
- ⑤ Magnetism Strip 磁性胶条
- ⑥ Fixed Frame 固定支架
- ⑦ Copper Hinges 全铜合页
- ⑧ Stainless Steel 不锈钢
- ⑨ Glass Connector 角码
- ⑩ Artificial Marble Made Jamb Stone 人造大理石门脚
- ⑪ Round-head Tapping Screw 自攻螺丝
- ⑫ Expansion Plastic Piece 膨胀胶粒

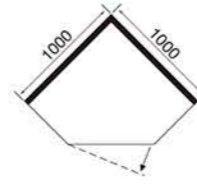
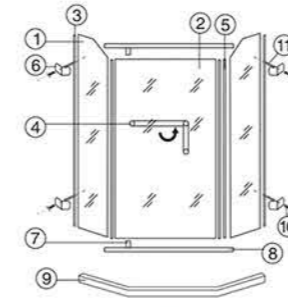


Bathroom Chair

Model: ST-876 不锈钢
 钻石形旋转门 / Diamond-shape sliding door
 玻璃厚度: 6、8mm / Thickness of the glass: 6、8mm
 玻璃花纹: 可选择丝印玻璃图案 / Patterns on the glass: selectable patterns
 材质: 304# 不锈钢
 Texture of material: 304 Stainless steel
 Size: 1000 x 1000 x 1930mm
 900 x 900 x 1980mm

Name of Material / 材料名称

- ① Fixed Glass 固定玻璃
- ② Movable Glass 活动玻璃
- ③ Side Water Blocking Strip 侧挡水胶条
- ④ Door Handles 门把
- ⑤ Magnetism Strip 磁性胶条
- ⑥ Glass Connector 角码
- ⑦ Rotor Axis Seat 旋转轴座
- ⑧ Fixed Stainless Steel 固定钢材
- ⑨ Artificial Marble Made Jamb Stone 人造大理石门脚
- ⑩ Round-head Tapping Screw 自攻螺丝
- ⑪ Expansion Plastic Piece 膨胀胶粒



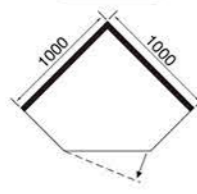
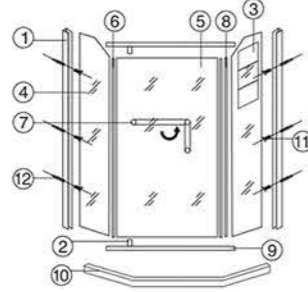
Bathroom Chair



Model: ST-875
 钻石形旋转门 / Diamond-shape sliding door
 玻璃厚度: 6、8mm / Thickness of the glass: 6、8mm
 玻璃花纹: 可选择丝印玻璃图案 / Patterns on the glass: selectable patterns
 材质: 304# 不锈钢
 Texture of material: 304 Stainless steel
 Size: 1000 x 1000 x 1930mm
 900 x 900 x 1980mm

Name of Material / 材料名称

- ① Wall Stainless Steel 靠墙钢材
- ② Rotor Axis Seat 旋转轴座
- ③ Layer Rack 置物架
- ④ Fixed Glass 固定玻璃
- ⑤ Movable Glass 活动玻璃
- ⑥ Side Water Blocking Strip 侧挡水胶条
- ⑦ Door Handles 门把
- ⑧ Magnetism Strip 磁性胶条
- ⑨ Fixed Stainless Steel 固定钢材
- ⑩ Artificial Marble Made Jamb Stone 人造大理石门脚
- ⑪ Round-head Tapping Screw 自攻螺丝
- ⑫ Expansion Plastic Piece 膨胀胶粒



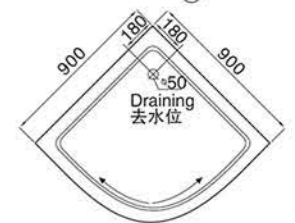
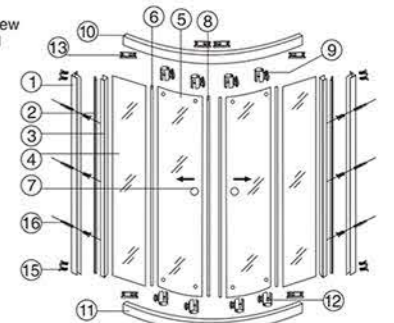
Bathroom Chair



Model: ST-005A 扇形 Sectorial
 扇形二固二活推拉门 / Sliding Door
 玻璃厚度: 6、8mm / Thickness of the glass: 6、8mm
 玻璃花纹: 可选择丝印玻璃图案 / Patterns on the glass: selectable patterns
 铝材颜色: 哑银、砂银、拉丝银、亮光、闪金、黑色
 Colors of aluminium material: Silver, Mat Silver Anodized, Hairline Silver, Silver Polished, Gold Polished, Black.
 Size: 1000 x 1000 x 1930mm / 900 x 900 x 1930mm / 800 x 800 x 1930mm

Name of Material / 材料名称

- ① Alum. Wall Jamb 靠墙铝材
- ② Shockproof Strip 防震胶条
- ③ Decorative Aluminum Profile 装饰铝材
- ④ Fixed Glass 固定玻璃
- ⑤ Movable Glass 活动玻璃
- ⑥ Side Water Blocking Strip 侧挡水胶条
- ⑦ Door Handles 门把
- ⑧ Magnetism Strip 磁性胶条
- ⑨ Upper Wheel 上滑轮
- ⑩ Alum. Of Up Rail 上轨道铝材
- ⑪ Alum. Of Down Rail 下轨道铝材
- ⑫ Lower Wheel 下滑轮
- ⑬ Positioning Plastic Piece 定位胶粒
- ⑭ Acrylic Shower Tray 亚克力底盆
- ⑮ Round-head Tapping Screw 自攻螺丝
- ⑯ Expansion Plastic Piece 膨胀胶粒
- ⑰ Drainer 去水器
- ⑱ Stainless Steel Bracket 不锈钢支架
- ⑲ Adjusting Screw 可调节螺丝脚





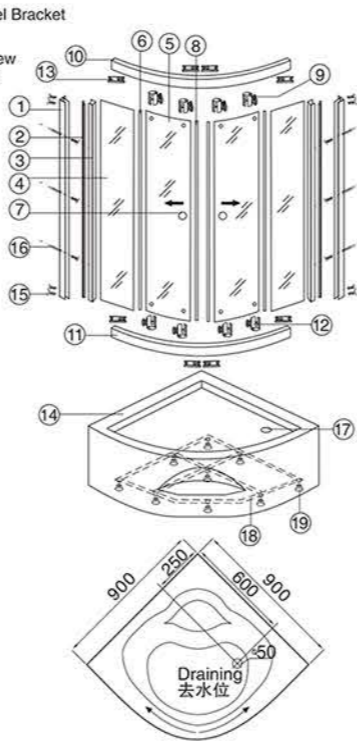
Model: ST-005B

扇形二圆二活推拉门 / sliding door
 玻璃厚度: 6、8mm / Thickness of the glass: 6、8mm
 玻璃花纹: 可选择丝印玻璃图案 / Patterns on the glass: selectable patterns
 铝材颜色: 哑银、砂银、拉丝银、亮光、闪金、黑色
 Colors of aluminium material: Silver, Mat Silver Anodized, Hairline Silver, Silver Polished, Gold Polished, Black.

Size: 900 x 900 x 1980mm

Name of Material / 材料名称

- ① Alum. Wall Jamb 靠墙铝材
- ② Shockproof Strip 防震胶条
- ③ Decorative Aluminum Profile 装饰铝材
- ④ Fixed Glass 固定玻璃
- ⑤ Movable Glass 活动玻璃
- ⑥ Side Water Blocking Strip 侧挡水胶条
- ⑦ Door Handles 门把
- ⑧ Magnetism Strip 磁性胶条
- ⑨ Upper Wheel 上滑轮
- ⑩ Alum. Of Up Rail 上轨道铝材
- ⑪ Alum. Of Down Rail 下轨道铝材
- ⑫ Lower Wheel 下滑轮
- ⑬ Positioning Plastic Piece 定位胶粒
- ⑭ Acrylic Shower Tray 亚克力底盆
- ⑮ Round-head Tapping Screw 自攻螺丝
- ⑯ Expansion Plastic Piece 膨胀胶粒
- ⑰ Drainer 去水器
- ⑱ Stainless Steel Bracket 不锈钢支架
- ⑲ Adjusting Screw 可调节螺丝脚



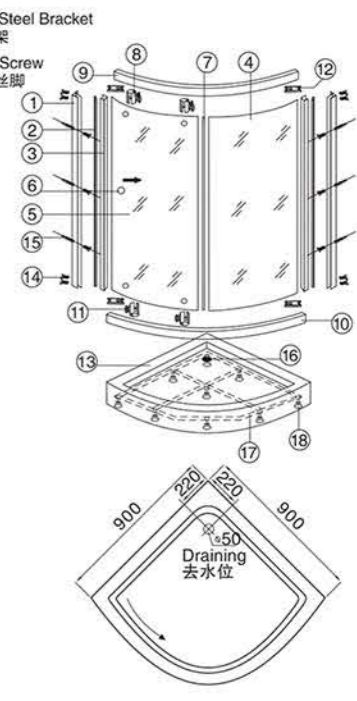
Model: ST-013

全弧一圆一活推拉门 / sliding door
 玻璃厚度: 6、8mm / Thickness of the glass: 6、8mm
 玻璃花纹: 可选择丝印玻璃图案 / Patterns on the glass: selectable patterns
 铝材颜色: 哑银、砂银、拉丝银、亮光、闪金、黑色
 Colors of aluminium material: Silver, Mat Silver Anodized, Hairline Silver, Silver Polished, Gold Polished, Black.

Size: 1000 x 1000 x 1930mm / 900 x 900 x 1930mm / 800 x 800 x 1930mm

Name of Material / 材料名称

- ① Alum. Wall Jamb 靠墙铝材
- ② Shockproof Strip 防震胶条
- ③ Decorative Aluminum Profile 装饰铝材
- ④ Fixed Glass 固定玻璃
- ⑤ Movable Glass 活动玻璃
- ⑥ Door Handles 门把
- ⑦ Magnetism Strip 磁性胶条
- ⑧ Upper Wheel 上滑轮
- ⑨ Alum. Of Up Rail 上轨道铝材
- ⑩ Alum. Of Down Rail 下轨道铝材
- ⑪ Lower Wheel 下滑轮
- ⑫ Positioning Plastic Piece 定位胶粒
- ⑬ Acrylic Shower Tray 亚克力底盆
- ⑭ Round-head Tapping Screw 自攻螺丝
- ⑮ Expansion Plastic Piece 膨胀胶粒
- ⑯ Drainer 去水器
- ⑰ Stainless Steel Bracket 不锈钢支架
- ⑱ Adjusting Screw 可调节螺丝脚



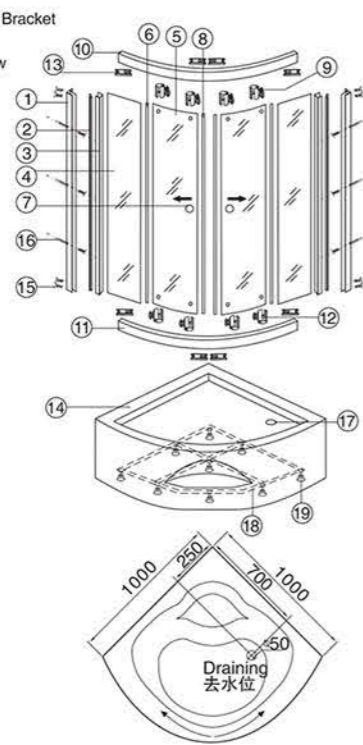
Model: ST-012B

全弧二圆二活推拉门 / sliding door
 玻璃厚度: 6、8mm / Thickness of the glass: 6、8mm
 玻璃花纹: 可选择丝印玻璃图案 / Patterns on the glass: selectable patterns
 铝材颜色: 哑银、砂银、拉丝银、亮光、闪金、黑色
 Colors of aluminium material: Silver, Mat Silver Anodized, Hairline Silver, Silver Polished, Gold Polished, Black.

Size: 1000 x 1000 x 1980mm

Name of Material / 材料名称

- ① Alum. Wall Jamb 靠墙铝材
- ② Shockproof Strip 防震胶条
- ③ Decorative Aluminum Profile 装饰铝材
- ④ Fixed Glass 固定玻璃
- ⑤ Movable Glass 活动玻璃
- ⑥ Side Water Blocking Strip 侧挡水胶条
- ⑦ Door Handles 门把
- ⑧ Magnetism Strip 磁性胶条
- ⑨ Upper Wheel 上滑轮
- ⑩ Alum. Of Up Rail 上轨道铝材
- ⑪ Alum. Of Down Rail 下轨道铝材
- ⑫ Lower Wheel 下滑轮
- ⑬ Positioning Plastic Piece 定位胶粒
- ⑭ Acrylic Shower Tray 亚克力底盆
- ⑮ Round-head Tapping Screw 自攻螺丝
- ⑯ Expansion Plastic Piece 膨胀胶粒
- ⑰ Drainer 去水器
- ⑱ Stainless Steel Bracket 不锈钢支架
- ⑲ Adjusting Screw 可调节螺丝脚



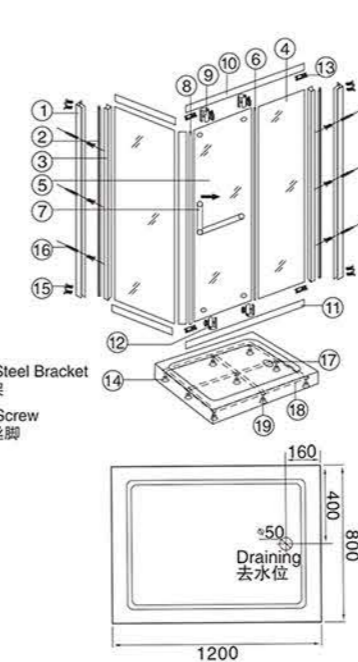
Model: ST-801

方形一圆一活推拉门 / sliding door
 玻璃厚度: 6、8mm / Thickness of the glass: 6、8mm
 玻璃花纹: 可选择丝印玻璃图案 / Patterns on the glass: selectable patterns
 铝材颜色: 哑银、砂银、拉丝银、亮光、闪金、黑色
 Colors of aluminium material: Silver, Mat Silver Anodized, Hairline Silver, Silver Polished, Gold Polished, Black.

Size: 1200 x 900 x 1930mm / 1200 x 800 x 1930mm / 1000 x 800 x 1930mm
 可非标订做
 Customization Size Acceptable

Name of Material / 材料名称

- ① Alum. Wall Jamb 靠墙铝材
- ② Shockproof Strip 防震胶条
- ③ Decorative Aluminum Profile 装饰铝材
- ④ Fixed Glass 固定玻璃
- ⑤ Movable Glass 活动玻璃
- ⑥ Side Water Blocking Strip 侧挡水胶条
- ⑦ Door Handles 门把
- ⑧ Magnetism Strip 磁性胶条
- ⑨ Upper Wheel 上滑轮
- ⑩ Alum. Of Up Rail 上轨道铝材
- ⑪ Alum. Of Down Rail 下轨道铝材
- ⑫ Lower Wheel 下滑轮
- ⑬ Positioning Plastic Piece 定位胶粒
- ⑭ Acrylic Shower Tray 亚克力底盆
- ⑮ Round-head Tapping Screw 自攻螺丝
- ⑯ Expansion Plastic Piece 膨胀胶粒
- ⑰ Drainer 去水器
- ⑱ Stainless Steel Bracket 不锈钢支架
- ⑲ Adjusting Screw 可调节螺丝脚



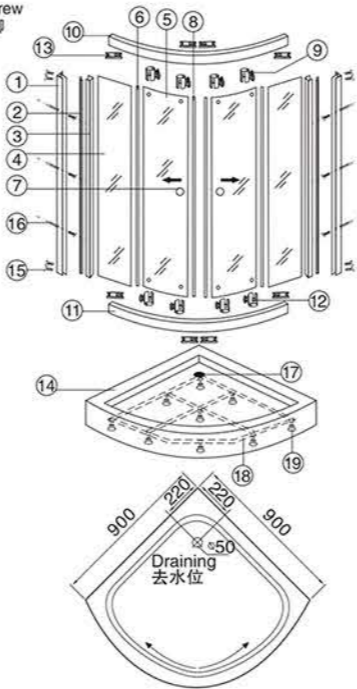


Model: ST-802 全弧Full Arrondi

全弧二活推拉门 / sliding door
 玻璃厚度: 6、8mm / Thickness of the glass: 6、8mm
 玻璃花纹: 可选择丝印玻璃图案 / Patterns on the glass: selectable patterns
 铝材颜色: 哑银、砂银、拉丝银、亮光、闪金、黑色
 Colors of aluminium material: Silver, Mat Silver Anodized, Hairline Silver, Silver Polished, Gold Polished, Black.
 Size: 1000 x 1000 x 1930mm / 900 x 900 x 1930mm / 800 x 800 x 1930mm

Name of Material / 材料名称

- ① Alum. Wall Jamb 靠墙铝材
- ② Shockproof Strip 防震胶条
- ③ Decorative Aluminum Profile 装饰铝材
- ④ Fixed Glass 固定玻璃
- ⑤ Movable Glass 活动玻璃
- ⑥ Side Water Blocking Strip 侧挡水胶条
- ⑦ Door Handles 门把
- ⑧ Magnetism Strip 磁性胶条
- ⑨ Upper Wheel 上滑轮
- ⑩ Alum. Of Up Rail 上轨道铝材
- ⑪ Alum. Of Down Rail 下轨道铝材
- ⑫ Lower Wheel 下滑轮
- ⑬ Positioning Plastic Piece 定位胶粒
- ⑭ Acrylic Shower Tray 亚克力底盆
- ⑮ Round-head Tapping Screw 自攻螺丝
- ⑯ Expansion Plastic Piece 膨胀胶粒
- ⑰ Drainer 去水器
- ⑱ Stainless Steel Bracket 不锈钢支架
- ⑲ Adjusting Screw 可调节螺丝脚

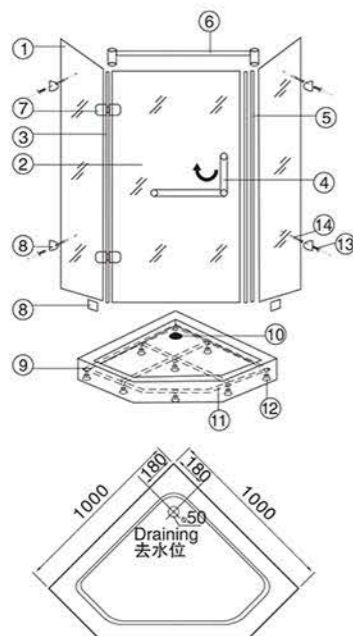


Model: ST-803

钻石形单开门 / Diamond-shape sliding door
 玻璃厚度: 6、8mm / Thickness of the glass: 6、8mm
 玻璃花纹: 可选择丝印玻璃图案 / Patterns on the glass: selectable patterns
 铝材颜色: 哑银、砂银、拉丝银、亮光、闪金、黑色
 Colors of aluminium material: Silver, Mat Silver Anodized, Hairline Silver, Silver Polished, Gold Polished, Black.
 Size: 1000 x 1000 x 1930mm / 900 x 900 x 1980mm / 800 x 800 x 1930mm

Name of Material / 材料名称

- ① Fixed Glass 固定玻璃
- ② Movable Glass 活动玻璃
- ③ Side Water Blocking Strip 侧挡水胶条
- ④ Door Handles 门把
- ⑤ Magnetism Strip 磁性胶条
- ⑥ Fixed Aluminum 固定铝材
- ⑦ Copper Hinges 全铜合页
- ⑧ Glass Connector 角码
- ⑨ Acrylic Shower Tray 亚克力底盆
- ⑩ Drainer 去水器
- ⑪ Stainless Steel Bracket 不锈钢支架
- ⑫ Adjusting Screw 可调节螺丝脚
- ⑬ Round-head Tapping Screw 自攻螺丝
- ⑭ Expansion Plastic Piece 膨胀胶粒



浴室很早以前就已经成为休闲养生场所。越来越多的用户将浴室打造成一个多功能场所。注重高档的设计和家居感，以及成熟的功能性。养生文化对这一潮流起到了积极影响。浴室成为人们放松身心，享受生活的重要场所。我们的产品彰显了完美功能与外观设计的平衡和谐。为帮助您打造个性化的浴室，我们为我们的产品创造出多种不同的风格。根据个人品味和喜好打造出您自己的梦幻浴室。前卫情感化的设计细节为您的浴室带来特殊的感官体验。现代这种风格确立了造型和功能方面的新标尺。由此诞生的是一个静谧的场所，具有鲜明的线条和感官化的外观设计，经典符合传统美学并经营出和谐氛围的设计理念。

A long time ago the bathroom became a place of leisure and health. More and more users are creating a multi-functional bathroom. Focus on high-grade design and home feeling, and the full-blown function. Health culture has played a positive role on this trend. The bathroom has become an important place for people to relax and enjoy life. Our products promote the perfect balance of function and design. To help you create a individualized bathroom. We create a variety of different style. Create your own dream bathroom according to personal taste and preferences. The design details of the avant-garde emotional design bring a special sensory experience. The modern style establishes a new standard of modeling and function. A quiet and pleasant place was born, with clear line and sensory appearance design. Classic design concept satisfy the traditional aesthetics and create a harmonious atmosphere design idea.



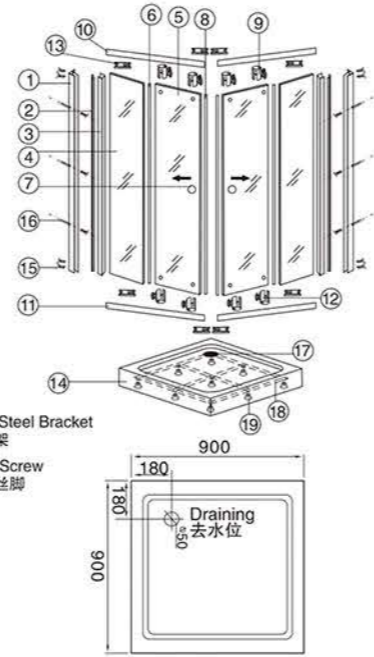


Model: ST-805

方形二扇活推拉门 / sliding door
 玻璃厚度: 6、8mm / Thickness of the glass: 6、8mm
 玻璃花纹: 可选择丝印玻璃图案 / Patterns on the glass: selectable patterns
 铝材颜色: 哑银、砂银、拉丝银、亮光、闪金、黑色
 Colors of aluminium material: Silver, Mat Silver Anodized, Hairline Silver, Silver Polished, Gold Polished, Black.
 Size: 1000 x 1000 x 1930mm / 900 x 900 x 1930mm / 800 x 800 x 1930mm
 可非标订做
 Non-standardized customized making

Name of Material / 材料名称

- ① Alum. Wall Jamb 靠墙铝材
- ② Shockproof Strip 防震胶条
- ③ Decorative Aluminum Profile 装饰铝材
- ④ Fixed Glass 固定玻璃
- ⑤ Movable Glass 活动玻璃
- ⑥ Side Water Blocking Strip 侧挡水胶条
- ⑦ Door Handles 门把
- ⑧ Magnetism Strip 磁性胶条
- ⑨ Upper Wheel 上滑轮
- ⑩ Alum. Of Up Rail 上轨道铝材
- ⑪ Alum. Of Down Rail 下轨道铝材
- ⑫ Lower Wheel 下滑轮
- ⑬ Positioning Plastic Piece 定位胶粒
- ⑭ Acrylic Shower Tray 亚克力底盆
- ⑮ Round-head Tapping Screw 自攻螺丝
- ⑯ Expansion Plastic Piece 膨胀胶粒
- ⑰ Drainer 去水器
- ⑱ Stainless Steel Bracket 不锈钢支架
- ⑲ Adjusting Screw 可调节螺丝脚

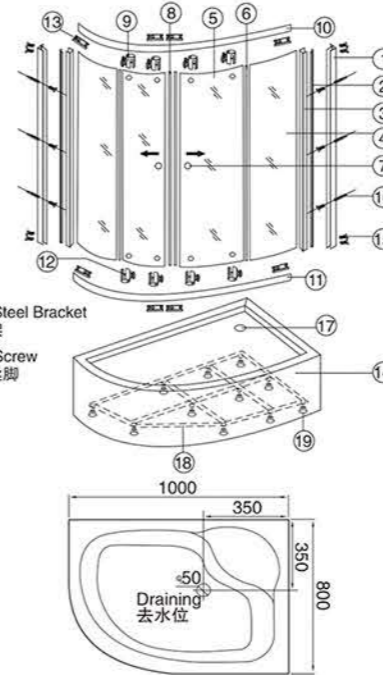


Model: ST-807 左、右 (Left/right)

半弧形二扇活推拉门 / Semiarc sliding door
 玻璃厚度: 6、8mm / Thickness of the glass: 6、8mm
 玻璃花纹: 可选择丝印玻璃图案 / Patterns on the glass: selectable patterns
 铝材颜色: 哑银、砂银、拉丝银、亮光、闪金、黑色
 Colors of aluminium material: Silver, Mat Silver Anodized, Hairline Silver, Silver Polished, Gold Polished, Black.
 Size: 1000 x 800 x 1930mm

Name of Material / 材料名称

- ① Alum. Wall Jamb 靠墙铝材
- ② Shockproof Strip 防震胶条
- ③ Decorative Aluminum Profile 装饰铝材
- ④ Fixed Glass 固定玻璃
- ⑤ Movable Glass 活动玻璃
- ⑥ Side Water Blocking Strip 侧挡水胶条
- ⑦ Door Handles 门把
- ⑧ Magnetism Strip 磁性胶条
- ⑨ Upper Wheel 上滑轮
- ⑩ Alum. Of Up Rail 上轨道铝材
- ⑪ Alum. Of Down Rail 下轨道铝材
- ⑫ Lower Wheel 下滑轮
- ⑬ Positioning Plastic Piece 定位胶粒
- ⑭ Acrylic Shower Tray 亚克力底盆
- ⑮ Round-head Tapping Screw 自攻螺丝
- ⑯ Expansion Plastic Piece 膨胀胶粒
- ⑰ Drainer 去水器
- ⑱ Stainless Steel Bracket 不锈钢支架
- ⑲ Adjusting Screw 可调节螺丝脚

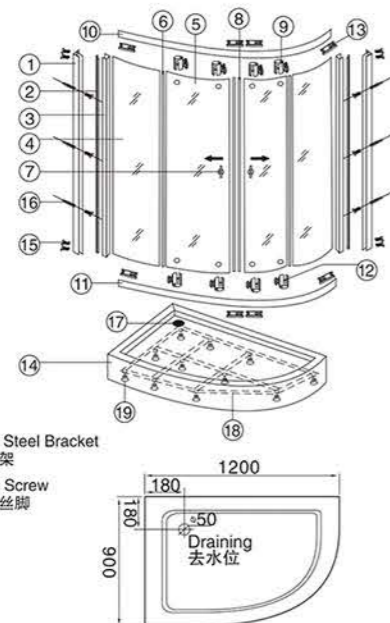


Model: ST-806 左、右 (Left/right)

半弧形二扇活推拉门 / Semiarc sliding door
 玻璃厚度: 6、8mm / Thickness of the glass: 6、8mm
 玻璃花纹: 可选择丝印玻璃图案 / Patterns on the glass: selectable patterns
 铝材颜色: 哑银、砂银、拉丝银、亮光、闪金、黑色
 Colors of aluminium material: Silver, Mat Silver Anodized, Hairline Silver, Silver Polished, Gold Polished, Black.
 Size: 1200 x 900 x 1930mm / 1200 x 800 x 1930mm

Name of Material / 材料名称

- ① Alum. Wall Jamb 靠墙铝材
- ② Shockproof Strip 防震胶条
- ③ Decorative Aluminum Profile 装饰铝材
- ④ Fixed Glass 固定玻璃
- ⑤ Movable Glass 活动玻璃
- ⑥ Side Water Blocking Strip 侧挡水胶条
- ⑦ Door Handles 门把
- ⑧ Magnetism Strip 磁性胶条
- ⑨ Upper Wheel 上滑轮
- ⑩ Alum. Of Up Rail 上轨道铝材
- ⑪ Alum. Of Down Rail 下轨道铝材
- ⑫ Lower Wheel 下滑轮
- ⑬ Positioning Plastic Piece 定位胶粒
- ⑭ Acrylic Shower Tray 亚克力底盆
- ⑮ Round-head Tapping Screw 自攻螺丝
- ⑯ Expansion Plastic Piece 膨胀胶粒
- ⑰ Drainer 去水器
- ⑱ Stainless Steel Bracket 不锈钢支架
- ⑲ Adjusting Screw 可调节螺丝脚

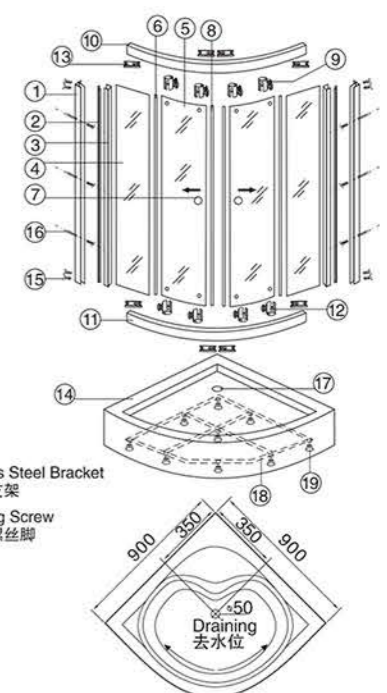


Model: ST-808

扇形二扇活推拉门 / sliding door
 玻璃厚度: 6、8mm / Thickness of the glass: 6、8mm
 玻璃花纹: 可选择丝印玻璃图案 / Patterns on the glass: selectable patterns
 铝材颜色: 哑银、砂银、拉丝银、亮光、闪金、黑色
 Colors of aluminium material: Silver, Mat Silver Anodized, Hairline Silver, Silver Polished, Gold Polished, Black.
 Size: 900 x 900 x 1930mm

Name of Material / 材料名称

- ① Alum. Wall Jamb 靠墙铝材
- ② Shockproof Strip 防震胶条
- ③ Decorative Aluminum Profile 装饰铝材
- ④ Fixed Glass 固定玻璃
- ⑤ Movable Glass 活动玻璃
- ⑥ Side Water Blocking Strip 侧挡水胶条
- ⑦ Door Handles 门把
- ⑧ Magnetism Strip 磁性胶条
- ⑨ Upper Wheel 上滑轮
- ⑩ Alum. Of Up Rail 上轨道铝材
- ⑪ Alum. Of Down Rail 下轨道铝材
- ⑫ Lower Wheel 下滑轮
- ⑬ Positioning Plastic Piece 定位胶粒
- ⑭ Acrylic Shower Tray 亚克力底盆
- ⑮ Round-head Tapping Screw 自攻螺丝
- ⑯ Expansion Plastic Piece 膨胀胶粒
- ⑰ Drainer 去水器
- ⑱ Stainless Steel Bracket 不锈钢支架
- ⑲ Adjusting Screw 可调节螺丝脚





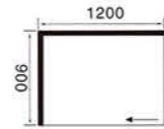
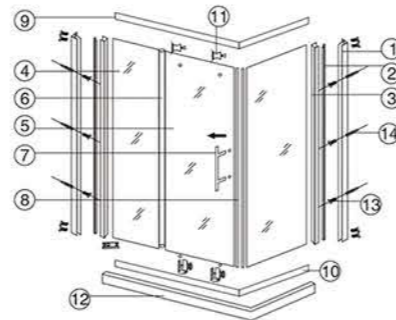
Model: ST-810

全弧形一扇一活推拉门 / sliding door
 玻璃厚度: 6、8mm / Thickness of the glass: 6、8mm
 玻璃花纹: 可选择丝印玻璃图案 / Patterns on the glass: selectable patterns
 铝材颜色: 哑银、砂银、拉丝银、亮光、闪金、黑色
 Colors of aluminium material: Silver, Mat Silver Anodized, Hairline Silver, Silver Polished, Gold Polished, Black.

Size: 1200 x 900 x 1930mm
 1200 x 800 x 1930mm
 可非标订做
 Customization Size Acceptable

Name of Material / 材料名称

- ① Alum. Wall Jamb 靠墙铝材
- ② Shockproof Strip 防震胶条
- ③ Decorative Aluminum Profile 装饰铝材
- ④ Fixed Glass 固定玻璃
- ⑤ Movable Glass 活动玻璃
- ⑥ Side Water Blocking Strip 侧挡水胶条
- ⑦ Door Handles 门把
- ⑧ Magnetism Strip 磁性胶条
- ⑨ Alum. Of Up Rail 上轨道铝材
- ⑩ Alum. Of Down Rail 下轨道铝材
- ⑪ Silent Chain Wheel 静音滑轮
- ⑫ Artificial Marble Made Jamb Stone 人造大理石门踏
- ⑬ Round-head Tapping Screw 自攻螺丝
- ⑭ Expansion Plastic Piece 膨胀胶粒



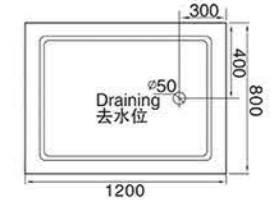
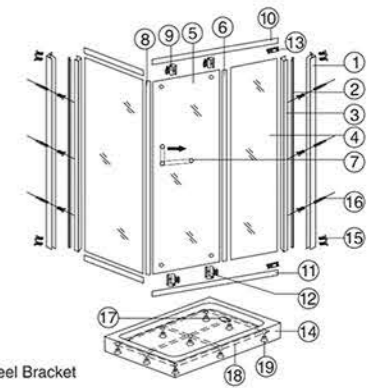
Model: ST-815

方形推拉门 / sliding door
 玻璃厚度: 6、8mm / Thickness of the glass: 6、8mm
 玻璃花纹: 可选择丝印玻璃图案 / Patterns on the glass: selectable patterns
 铝材颜色: 哑银、砂银、拉丝银、亮光、闪金、黑色
 Colors of aluminium material: Silver, Mat Silver Anodized, Hairline Silver, Silver Polished, Gold Polished, Black.

Size: 1200 x 800 x 1930mm

Name of Material / 材料名称

- ① Alum. Wall Jamb 靠墙铝材
- ② Shockproof Strip 防震胶条
- ③ Decorative Aluminum Profile 装饰铝材
- ④ Fixed Glass 固定玻璃
- ⑤ Movable Glass 活动玻璃
- ⑥ Side Water Blocking Strip 侧挡水胶条
- ⑦ Door Handles 门把
- ⑧ Magnetism Strip 磁性胶条
- ⑨ Upper Wheel 上滑轮
- ⑩ Alum. Of Up Rail 上轨道铝材
- ⑪ Alum. Of Down Rail 下轨道铝材
- ⑫ Lower Wheel 下滑轮
- ⑬ Positioning Plastic Piece 定位胶粒
- ⑭ Acrylic Shower Tray 亚克力底盆
- ⑮ Round-head Tapping Screw 自攻螺丝
- ⑯ Expansion Plastic Piece 膨胀胶粒
- ⑰ Drainer 去水器
- ⑱ Stainless Steel Bracket 不锈钢支架
- ⑲ Adjusting Screw 可调节螺丝脚



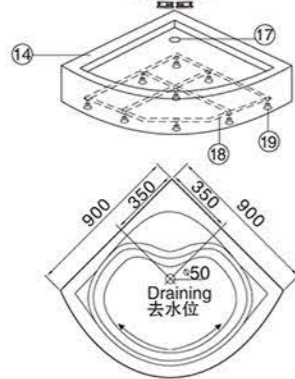
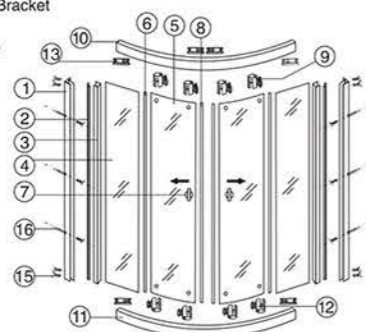
Model: ST-811

全弧形二扇二活推拉门 / sliding door
 玻璃厚度: 6、8mm / Thickness of the glass: 6、8mm
 玻璃花纹: 可选择丝印玻璃图案 / Patterns on the glass: selectable patterns
 铝材颜色: 哑银、砂银、拉丝银、亮光、闪金、黑色
 Colors of aluminium material: Silver, Mat Silver Anodized, Hairline Silver, Silver Polished, Gold Polished, Black.

Size: 900 x 900 x 1930mm

Name of Material / 材料名称

- ① Alum. Wall Jamb 靠墙铝材
- ② Shockproof Strip 防震胶条
- ③ Decorative Aluminum Profile 装饰铝材
- ④ Fixed Glass 固定玻璃
- ⑤ Movable Glass 活动玻璃
- ⑥ Side Water Blocking Strip 侧挡水胶条
- ⑦ Door Handles 门把
- ⑧ Magnetism Strip 磁性胶条
- ⑨ Upper Wheel 上滑轮
- ⑩ Alum. Of Up Rail 上轨道铝材
- ⑪ Alum. Of Down Rail 下轨道铝材
- ⑫ Lower Wheel 下滑轮
- ⑬ Positioning Plastic Piece 定位胶粒
- ⑭ Acrylic Shower Tray 亚克力底盆
- ⑮ Round-head Tapping Screw 自攻螺丝
- ⑯ Expansion Plastic Piece 膨胀胶粒
- ⑰ Drainer 去水器
- ⑱ Stainless Steel Bracket 不锈钢支架
- ⑲ Adjusting Screw 可调节螺丝脚



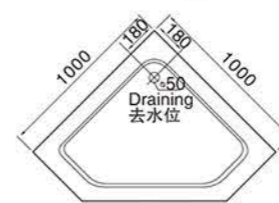
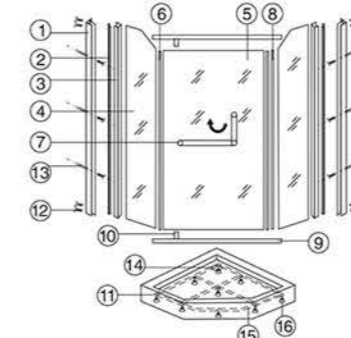
Model: ST-816

钻石形旋转门 / Diamond-shape sliding door
 玻璃厚度: 6、8mm / Thickness of the glass: 6、8mm
 玻璃花纹: 可选择丝印玻璃图案 / Patterns on the glass: selectable patterns
 铝材颜色: 哑银、砂银、拉丝银、亮光、闪金、黑色
 Colors of aluminium material: Silver, Mat Silver Anodized, Hairline Silver, Silver Polished, Gold Polished, Black.

Size: 1000 x 1000 x 1930mm / 900 x 900 x 1980mm / 800 x 800 x 1930mm

Name of Material / 材料名称

- ① Alum. Wall Jamb 靠墙铝材
- ② Shockproof Strip 防震胶条
- ③ Decorative Aluminum Profile 装饰铝材
- ④ Fixed Glass 固定玻璃
- ⑤ Movable Glass 活动玻璃
- ⑥ Side Water Blocking Strip 侧挡水胶条
- ⑦ Door Handles 门把
- ⑧ Magnetism Strip 磁性胶条
- ⑨ Fixed Aluminum 固定铝材
- ⑩ Rotor Axis Seat 旋转轴座
- ⑪ Acrylic Shower Tray 亚克力底盆
- ⑫ Round-head Tapping Screw 自攻螺丝
- ⑬ Expansion Plastic Piece 膨胀胶粒
- ⑭ Drainer 去水器
- ⑮ Stainless Steel Bracket 不锈钢支架
- ⑯ Adjusting Screw 可调节螺丝脚



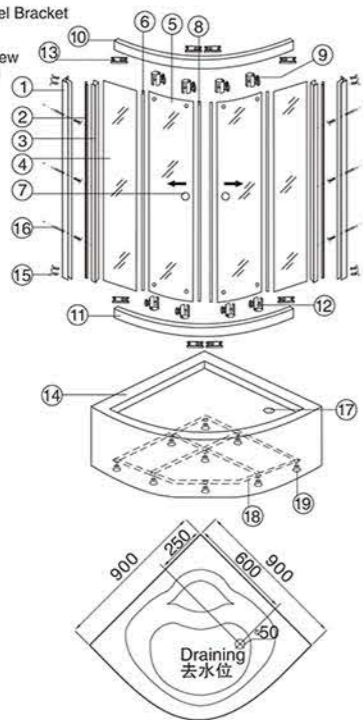
Model: ST-817

弧形推拉门 / sliding door
 玻璃厚度: 6、8mm / Thickness of the glass: 6、8mm
 玻璃花纹: 可选择丝印玻璃图案 / Patterns on the glass: selectable patterns
 铝材颜色: 哑银、砂银、拉丝银、亮光、闪金、黑色
 Colors of aluminium material: Silver, Mat Silver Anodized, Hairline Silver, Silver Polished, Gold Polished, Black.

Size: 900 x 900 x 1930mm
 1200 x 1200 x 1930mm

Name of Material / 材料名称

- ① Alum. Wall Jamb 靠墙铝材
- ② Shockproof Strip 防震胶条
- ③ Decorative Aluminum Profile 装饰铝材
- ④ Fixed Glass 固定玻璃
- ⑤ Movable Glass 活动玻璃
- ⑥ Side Water Blocking Strip 侧挡水胶条
- ⑦ Door Handles 门把
- ⑧ Magnetism Strip 磁性胶条
- ⑨ Upper Wheel 上滑轮
- ⑩ Alum. Of Up Rail 上轨道铝材
- ⑪ Alum. Of Down Rail 下轨道铝材
- ⑫ Lower Wheel 下滑轮
- ⑬ Positioning Plastic Piece 定位胶粒
- ⑭ Acrylic Shower Tray 亚克力底盆
- ⑮ Round-head Tapping Screw 自攻螺丝
- ⑯ Expansion Plastic Piece 膨胀胶粒
- ⑰ Drainer 去水器
- ⑱ Adjusting Screw 可调节螺丝脚



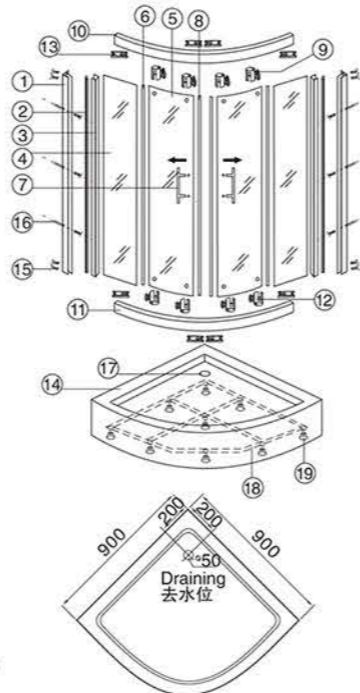
Model: ST-821 扇形 Sectorial

扇形二固定活推拉门 / sliding door
 玻璃厚度: 6、8mm / Thickness of the glass: 6、8mm
 玻璃花纹: 可选择丝印玻璃图案 / Patterns on the glass: selectable patterns
 铝材颜色: 哑银、砂银、拉丝银、亮光、闪金、黑色
 Colors of aluminium material: Silver, Mat Silver Anodized, Hairline Silver, Silver Polished, Gold Polished, Black.

Size: 1000 x 1000 x 1930mm / 900 x 900 x 1930mm / 800 x 800 x 1930mm

Name of Material / 材料名称

- ① Alum. Wall Jamb 靠墙铝材
- ② Shockproof Strip 防震胶条
- ③ Decorative Aluminum Profile 装饰铝材
- ④ Fixed Glass 固定玻璃
- ⑤ Movable Glass 活动玻璃
- ⑥ Side Water Blocking Strip 侧挡水胶条
- ⑦ Door Handles 门把
- ⑧ Magnetism Strip 磁性胶条
- ⑨ Upper Wheel 上滑轮
- ⑩ Alum. Of Up Rail 上轨道铝材
- ⑪ Alum. Of Down Rail 下轨道铝材
- ⑫ Lower Wheel 下滑轮
- ⑬ Positioning Plastic Piece 定位胶粒
- ⑭ Acrylic Shower Tray 亚克力底盆
- ⑮ Round-head Tapping Screw 自攻螺丝
- ⑯ Expansion Plastic Piece 膨胀胶粒
- ⑰ Drainer 去水器
- ⑱ Adjusting Screw 可调节螺丝脚
- ⑲ Stainless Steel Bracket 不锈钢支架



Model: ST-822

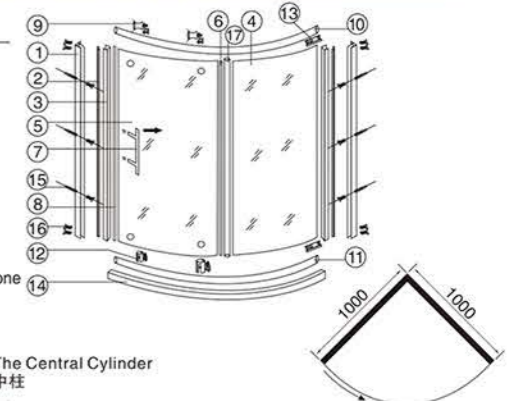
全弧一固定活推拉门
 sliding door
 玻璃厚度: 6、8mm
 Thickness of the glass: 6、8mm
 玻璃花纹: 可选择丝印玻璃图案
 Patterns on the glass: selectable patterns
 铝材颜色: 哑银、砂银、拉丝银、亮光、闪金、黑色
 Colors of aluminium material: Silver, Mat Silver Anodized, Hairline Silver, Silver Polished, Gold Polished, Black.

Size: 1000 x 1000 x 1930mm
 900 x 900 x 1930mm
 800 x 800 x 1930mm

可非标订做
 Customization Size Acceptable

Name of Material / 材料名称

- ① Alum. Wall Jamb 靠墙铝材
- ② Shockproof Strip 防震胶条
- ③ Decorative Aluminum Profile 装饰铝材
- ④ Fixed Glass 固定玻璃
- ⑤ Movable Glass 活动玻璃
- ⑥ Side Water Blocking Strip 侧挡水胶条
- ⑦ Door Handles 门把
- ⑧ Magnetism Strip 磁性胶条
- ⑨ Silent Chain Wheel 静音滑轮
- ⑩ Alum. Of Up Rail 上轨道铝材
- ⑪ Alum. Of Down Rail 下轨道铝材
- ⑫ Lower Wheel 下滑轮
- ⑬ Positioning Plastic Piece 定位胶粒
- ⑭ Artificial Marble Made Jamb Stone 人造大理石门踏
- ⑮ Round-head Tapping Screw 自攻螺丝
- ⑯ Expansion Plastic Piece 膨胀胶粒
- ⑰ The Central Cylinder 中柱

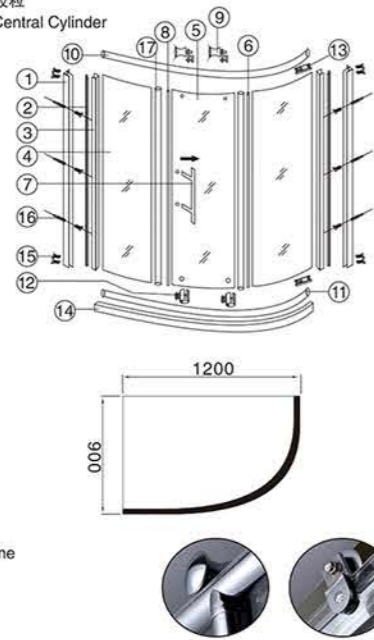


Model: ST-823

刀形二固一活推拉门 / Sliding door
 玻璃厚度: 6、8mm / Thickness of the glass: 6、8mm
 玻璃花纹: 可选择丝印玻璃图案 / Patterns on the glass: selectable patterns
 铝材颜色: 哑银、砂银、拉丝银、亮光、闪金、黑色
 Colors of aluminium material: Silver, Mat Silver Anodized, Hairline Silver, Silver Polished, Gold Polished, Black.
 Size: 1200 x 900 x 1930mm / 1200 x 800 x 1930mm / 1000 x 900 x 1930mm
 1000 x 800 x 1930mm

Name of Material / 材料名称

- | | |
|--|-----------------------------------|
| ① Alum. Wall Jamb
靠墙铝材 | ⑩ Expansion Plastic Piece
膨胀胶粒 |
| ② Shockproof Strip
防震胶条 | ⑪ The Central Cylinder
中柱 |
| ③ Decorative Aluminum Profile
装饰铝材 | |
| ④ Fixed Glass
固定玻璃 | |
| ⑤ Movable Glass
活动玻璃 | |
| ⑥ Side Water Blocking Strip
侧挡水胶条 | |
| ⑦ Door Handles
门把 | |
| ⑧ Magnetism Strip
磁性胶条 | |
| ⑨ Silent Chain Wheel
静音滑轮 | |
| ⑩ Alum. Of Up Rail
上轨道铝材 | |
| ⑪ Alum. Of Down Rail
下轨道铝材 | |
| ⑫ Lower Wheel
下滑轮 | |
| ⑬ Positioning Plastic Piece
定位胶粒 | |
| ⑭ Artificial Marble Made Jamb Stone
人造大理石门踏 | |
| ⑮ Round-head Tapping Screw
自攻螺丝 | |

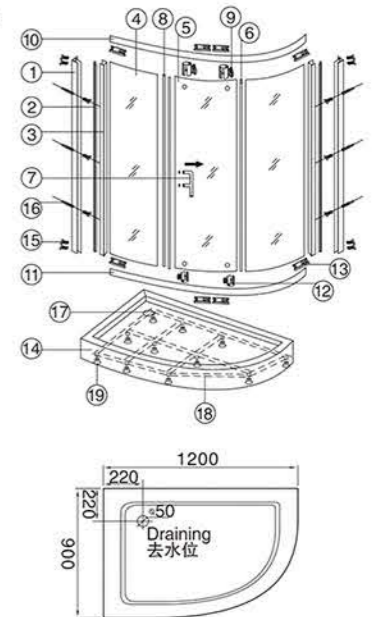


Model: ST-828 左、右(left/right)

刀形二固一活推拉门 / Sliding door
 玻璃厚度: 6、8mm / Thickness of the glass: 6、8mm
 玻璃花纹: 可选择丝印玻璃图案 / Patterns on the glass: selectable patterns
 铝材颜色: 哑银、砂银、拉丝银、亮光、闪金、黑色
 Colors of aluminium material: Silver, Mat Silver Anodized, Hairline Silver, Silver Polished, Gold Polished, Black.
 Size: 1200 x 900 x 1930mm / 1200 x 800 x 1930mm

Name of Material / 材料名称

- | | |
|---------------------------------------|------------------------------------|
| ① Alum. wall jamb
靠墙铝材 | ⑩ Stainless Steel Bracket
不锈钢支架 |
| ② Shockproof Strip
防震胶条 | ⑪ Adjusting Screw
可调节螺丝脚 |
| ③ Decorative Aluminum Profile
装饰铝材 | |
| ④ Fixed Glass
固定玻璃 | |
| ⑤ Movable Glass
活动玻璃 | |
| ⑥ Side Water Blocking Strip
侧挡水胶条 | |
| ⑦ Door Handles
门把 | |
| ⑧ Magnetism Strip
磁性胶条 | |
| ⑨ Upper Wheel
上滑轮 | |
| ⑩ Alum. Of Up Rail
上轨道铝材 | |
| ⑪ Alum. Of Down Rail
下轨道铝材 | |
| ⑫ Lower Wheel
下滑轮 | |
| ⑬ Positioning Plastic Piece
定位胶粒 | |
| ⑭ Acrylic Shower Tray
亚克力底盆 | |
| ⑮ Round-head Tapping Screw
自攻螺丝 | |
| ⑯ Expansion Plastic Piece
膨胀胶粒 | |
| ⑰ Drainer
去水器 | |

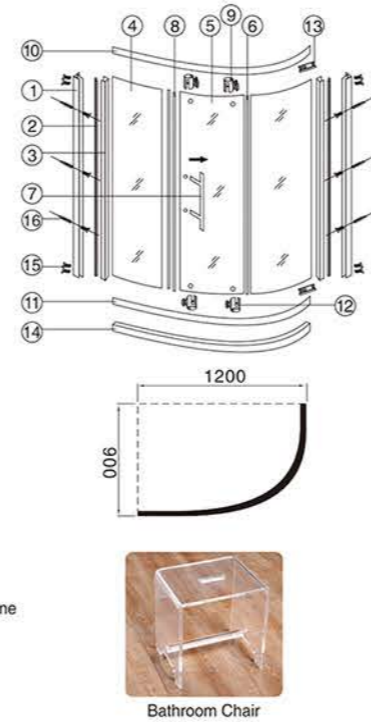


Model: ST-825

刀形二固一活推拉门 / Sliding door
 玻璃厚度: 6、8mm / Thickness of the glass: 6、8mm
 玻璃花纹: 可选择丝印玻璃图案 / Patterns on the glass: selectable patterns
 铝材颜色: 哑银、砂银、拉丝银、亮光、闪金、黑色
 Colors of aluminium material: Silver, Mat Silver Anodized, Hairline Silver, Silver Polished, Gold Polished, Black.
 Size: 1200 x 900 x 1930mm / 1200 x 800 x 1930mm / 1000 x 900 x 1930mm
 1000 x 800 x 1930mm

Name of Material / 材料名称

- | | |
|--|-----------------------------------|
| ① Alum. Wall Jamb
靠墙铝材 | ⑩ Expansion Plastic Piece
膨胀胶粒 |
| ② Shockproof Strip
防震胶条 | ⑪ The Central Cylinder
中柱 |
| ③ Decorative Aluminum Profile
装饰铝材 | |
| ④ Fixed Glass
固定玻璃 | |
| ⑤ Movable Glass
活动玻璃 | |
| ⑥ Side Water Blocking Strip
侧挡水胶条 | |
| ⑦ Door Handles
门把 | |
| ⑧ Magnetism Strip
磁性胶条 | |
| ⑨ Upper Wheel
上滑轮 | |
| ⑩ Alum. Of Up Rail
上轨道铝材 | |
| ⑪ Alum. Of Down Rail
下轨道铝材 | |
| ⑫ Lower Wheel
下滑轮 | |
| ⑬ Positioning Plastic Piece
定位胶粒 | |
| ⑭ Artificial Marble Made Jamb Stone
人造大理石门踏 | |
| ⑮ Round-head Tapping Screw
自攻螺丝 | |
| ⑯ Expansion Plastic Piece
膨胀胶粒 | |

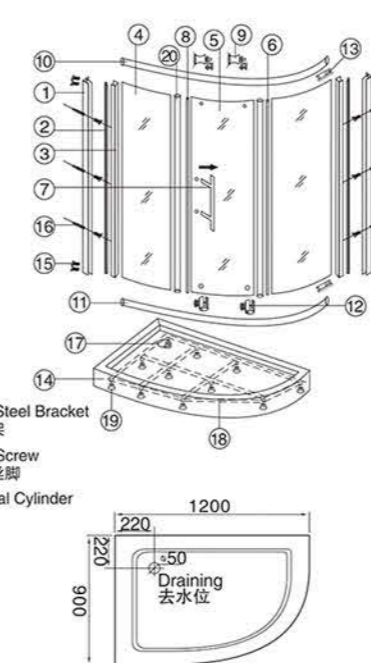


Model: ST-829 左、右(left/right)

刀形二固一活推拉门 / Sliding door
 玻璃厚度: 6、8mm / Thickness of the glass: 6、8mm
 玻璃花纹: 可选择丝印玻璃图案 / Patterns on the glass: selectable patterns
 铝材颜色: 哑银、砂银、拉丝银、亮光、闪金、黑色
 Colors of aluminium material: Silver, Mat Silver Anodized, Hairline Silver, Silver Polished, Gold Polished, Black.
 Size: 1200 x 900 x 1930mm / 1200 x 800 x 1930mm

Name of Material / 材料名称

- | | |
|---------------------------------------|------------------------------------|
| ① Alum. Wall Jamb
靠墙铝材 | ⑩ Drainer
去水器 |
| ② Shockproof Strip
防震胶条 | |
| ③ Decorative Aluminum Profile
装饰铝材 | |
| ④ Fixed Glass
固定玻璃 | |
| ⑤ Movable Glass
活动玻璃 | |
| ⑥ Side Water Blocking Strip
侧挡水胶条 | |
| ⑦ Door Handles
门把 | |
| ⑧ Magnetism Strip
磁性胶条 | |
| ⑨ Silent Chain Wheel
静音滑轮 | |
| ⑩ Alum. Of Up Rail
上轨道铝材 | ⑪ Stainless Steel Bracket
不锈钢支架 |
| ⑪ Alum. Of Down Rail
下轨道铝材 | ⑫ Adjusting Screw
可调节螺丝脚 |
| ⑫ Lower Wheel
下滑轮 | ⑬ The Central Cylinder
中柱 |
| ⑬ Positioning Plastic Piece
定位胶粒 | |
| ⑭ Acrylic Shower Tray
亚克力底盆 | |
| ⑮ Round-head Tapping Screw
自攻螺丝 | |
| ⑯ Expansion Plastic Piece
膨胀胶粒 | |



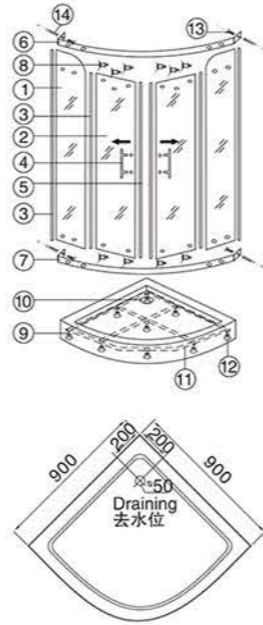


Model: ST-833

扇形二固二活推拉门 / Sliding door
 玻璃厚度: 6、8mm / Thickness of the glass: 6、8mm
 玻璃花纹: 可选择丝印玻璃图案 / Patterns on the glass: selectable patterns
 材质: 304#不锈钢
 Texture of material: 304 Stainless steel
 Size: 1000 × 1000 × 1930mm / 900 × 900 × 1930mm / 800 × 800 × 1930mm

Name of Material / 材料名称

- ① Fixed Glass 固定玻璃
- ② Movable Glass 活动玻璃
- ③ Side Water Blocking Strip 侧挡水胶条
- ④ Door Handles 门把
- ⑤ Magnetism Strip 磁性胶条
- ⑥ Alum. Of Up Rail 上轨道铝材
- ⑦ Alum. Of Down Rail 下轨道铝材
- ⑧ Wheel 滑轮
- ⑨ Acrylic Shower Tray 亚克力底盆
- ⑩ Drainer 去水器
- ⑪ Stainless Steel Bracket 不锈钢支架
- ⑫ Adjusting Screw 可调节螺丝脚
- ⑬ Round-head Tapping Screw 自攻螺丝
- ⑭ Expansion Plastic Piece 膨胀胶粒

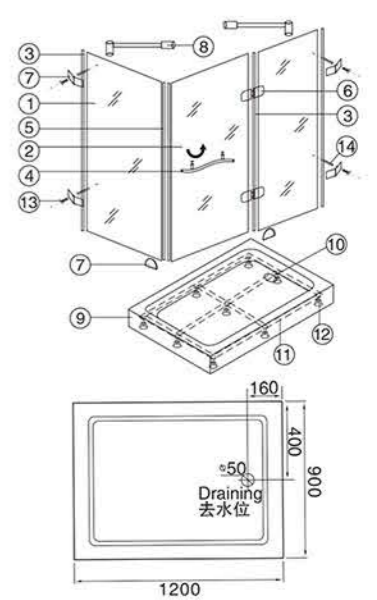


Model: ST-839

方形二固一活推拉门 / Sliding door
 玻璃厚度: 6、8mm / Thickness of the glass: 6、8mm
 玻璃花纹: 可选择丝印玻璃图案 / Patterns on the glass: selectable patterns
 材质: 304#不锈钢
 Texture of material: 304 Stainless steel
 Size: 1200 × 900 × 1930mm / 1200 × 800 × 1930mm / 1000 × 900 × 1930mm / 1000 × 800 × 1930mm

Name of Material / 材料名称

- ① Fixed Glass 固定玻璃
- ② Movable Glass 活动玻璃
- ③ Side Water Blocking Strip 侧挡水胶条
- ④ Door Handles 门把
- ⑤ Magnetism Strip 磁性胶条
- ⑥ Copper Hinges 全铜合页
- ⑦ Glass Connector 角码
- ⑧ Fixed Frame 固定支架
- ⑨ Acrylic Shower Tray 亚克力底盆
- ⑩ Drainer 去水器
- ⑪ Stainless Steel Bracket 不锈钢支架
- ⑫ Adjusting Screw 可调节螺丝脚
- ⑬ Round-head Tapping Screw 自攻螺丝
- ⑭ Expansion Plastic Piece 膨胀胶粒



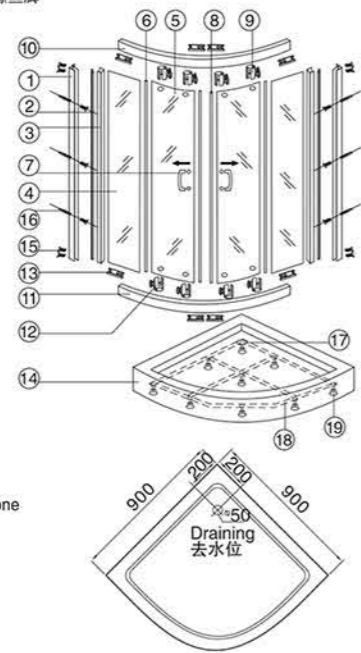
Model: ST-836

扇形二固二活推拉门 / Sliding door
 玻璃厚度: 6、8mm / Thickness of the glass: 6、8mm
 玻璃花纹: 可选择丝印玻璃图案 / Patterns on the glass: selectable patterns
 铝材颜色: 哑银、砂银、拉丝银、亮光、闪金、黑色
 Colors of aluminium material: Silver, Mat Silver Anodized, Hairline Silver, Silver Polished, Gold Polished, Black.

Size: 1000 × 1000 × 1930mm / 900 × 900 × 1930mm / 800 × 800 × 1930mm

Name of Material / 材料名称

- ① Alum. Wall Jamb 靠墙铝材
- ② Shockproof Strip 防震胶条
- ③ Decorative Aluminum Profile 装饰铝材
- ④ Fixed Glass 固定玻璃
- ⑤ Movable Glass 活动玻璃
- ⑥ Side Water Blocking Strip 侧挡水胶条
- ⑦ Door Handles 门把
- ⑧ Magnetism Strip 磁性胶条
- ⑨ Upper Wheel 上滑轮
- ⑩ Alum. Of Up Rail 上轨道铝材
- ⑪ Alum. Of Down Rail 下轨道铝材
- ⑫ Lower Wheel 下滑轮
- ⑬ Positioning Plastic Piece 定位胶粒
- ⑭ Artificial Marble Made Jamb Stone 人造大理石门踏
- ⑮ Round-head Tapping Screw 自攻螺丝
- ⑯ Expansion Plastic Piece 膨胀胶粒
- ⑰ Drainer 去水器
- ⑱ Stainless Steel Bracket 不锈钢支架
- ⑲ Adjusting Screw 可调节螺丝脚

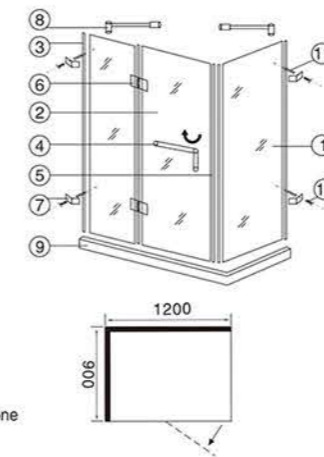


Model: ST-841

方形二固一活推拉门 / Sliding door
 玻璃厚度: 8、10mm / Thickness of the glass: 8、10mm
 玻璃花纹: 可选择丝印玻璃图案 / Patterns on the glass: selectable patterns
 材质: 304#不锈钢
 Texture of material: 304 Stainless steel
 Size: 1200 × 900 × 1930mm / 1200 × 800 × 1930mm / 1000 × 900 × 1930mm / 1000 × 800 × 1930mm
 可非标订做
 Customization Size Acceptable

Name of Material / 材料名称

- ① Fixed Glass 固定玻璃
- ② Movable Glass 活动玻璃
- ③ Side Water Blocking Strip 侧挡水胶条
- ④ Door Handles 门把
- ⑤ Magnetism Strip 磁性胶条
- ⑥ Copper Hinges 全铜合页
- ⑦ Glass Connector 角码
- ⑧ Fixed Frame 固定支架
- ⑨ Artificial Marble Made Jamb Stone 人造大理石门踏
- ⑩ Round-head Tapping Screw 自攻螺丝
- ⑪ Expansion Plastic Piece 膨胀胶粒



Bathroom Chair

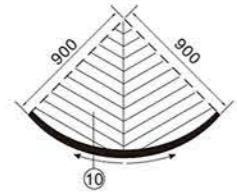
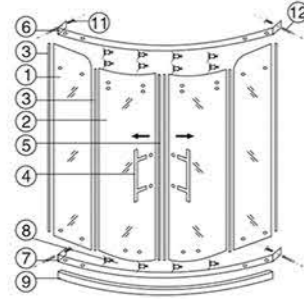


Model: ST-846

扇形二固二活推拉门 / Sliding door
 玻璃厚度: 5、6、8mm / Thickness of the glass: 6、8mm
 玻璃花纹: 可选择丝印玻璃图案 / Patterns on the glass: selectable patterns
 材质: 304#不锈钢
 Texture of material: 304 Stainless steel
 Size: 1000 x 1000 x 1930mm / 900 x 900 x 1930mm / 800 x 800 x 1930mm

Name of Material / 材料名称

- ① Fixed Glass 固定玻璃
- ② Movable Glass 活动玻璃
- ③ Side Water Blocking Strip 侧挡水胶条
- ④ Door Handles 门把
- ⑤ Magnetism Strip 磁性胶条
- ⑥ Up Rail Stainless Steel 上轨道钢材
- ⑦ Down Rail Stainless Steel 下轨道钢材
- ⑧ Wheel 滑轮
- ⑨ Artificial Marble Made Jamb Stone 人造大理石门踏
- ⑩ Finland wood Shower Tray 芬兰木底座
- ⑪ Round-head Tapping Screw 自攻螺丝
- ⑫ Expansion Plastic Piece 膨胀胶粒



Bathroom Chair

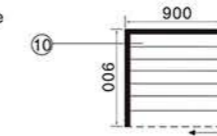
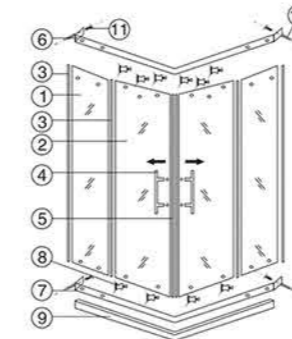


Model: ST-848

方形二固二活推拉门 / Sliding door
 玻璃厚度: 6、8mm / Thickness of the glass: 6、8mm
 玻璃花纹: 可选择丝印玻璃图案 / Patterns on the glass: selectable patterns
 材质: 304#不锈钢
 Texture of material: 304 Stainless steel
 Size: 1000 x 1000 x 1930mm / 900 x 900 x 1930mm / 800 x 800 x 1930mm
 可非标订做
 Customization Size Acceptable

Name of Material / 材料名称

- ① Fixed Glass 固定玻璃
- ② Movable Glass 活动玻璃
- ③ Side Water Blocking Strip 侧挡水胶条
- ④ Door Handles 门把
- ⑤ Magnetism Strip 磁性胶条
- ⑥ Up Rail Stainless Steel 上轨道不锈钢
- ⑦ Down Rail Stainless Steel 下轨道不锈钢
- ⑧ Wheel 滑轮
- ⑨ Artificial Marble Made Jamb Stone 人造大理石门踏
- ⑩ Finland wood Shower Tray 芬兰木底座
- ⑪ Round-head Tapping Screw 自攻螺丝
- ⑫ Expansion Plastic Piece 膨胀胶粒



Bathroom Chair

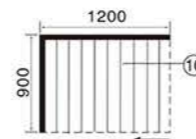
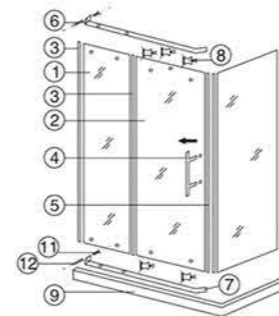


Model: ST-847

方形二固一活推拉门 / Sliding door
 玻璃厚度: 6、8mm / Thickness of the glass: 6、8mm
 玻璃花纹: 可选择丝印玻璃图案 / Patterns on the glass: selectable patterns
 材质: 304#不锈钢
 Texture of material: 304 Stainless steel
 Size: 1200 x 900 x 1930mm / 1200 x 800 x 1930mm / 1000 x 1000 x 1930mm
 1000 x 900 x 1930mm / 1000 x 800 x 1930mm

Name of Material / 材料名称

- ① Fixed Glass 固定玻璃
- ② Movable Glass 活动玻璃
- ③ Side Water Blocking Strip 侧挡水胶条
- ④ Door Handles 门把
- ⑤ Magnetism Strip 磁性胶条
- ⑥ Up Rail Stainless Steel 上轨道不锈钢
- ⑦ Down Rail Stainless Steel 下轨道不锈钢
- ⑧ Wheel 滑轮
- ⑨ Artificial Marble Made Jamb Stone 人造大理石门踏
- ⑩ Finland wood Shower Tray 芬兰木底座
- ⑪ Round-head Tapping Screw 自攻螺丝
- ⑫ Expansion Plastic Piece 膨胀胶粒



Bathroom Chair

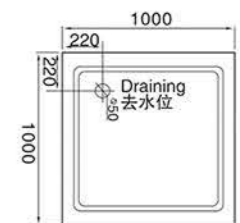
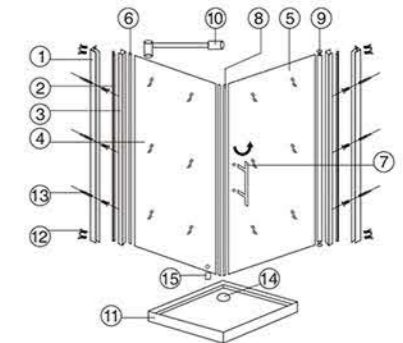


Model: ST-857

方形一固一活旋转门 / Sliding door
 玻璃厚度: 6、8mm / Thickness of the glass: 6、8mm
 玻璃花纹: 可选择丝印玻璃图案 / Patterns on the glass: selectable patterns
 铝材颜色: 哑银、砂银、拉丝银、亮光、闪金、黑色
 Colors of aluminium material: Silver, Mat Silver Anodized, Hairline Silver, Silver Polished, Gold Polished, Black.
 Size: 1000 x 1000 x 1930mm / 900 x 900 x 1930mm / 800 x 800 x 1930mm

Name of Material / 材料名称

- ① Alum. wall jamb 靠墙铝材
- ② Shockproof Strip 防震胶条
- ③ Decorative Aluminum Profile 装饰铝材
- ④ Fixed Glass 固定玻璃
- ⑤ Movable Glass 活动玻璃
- ⑥ Side Water Blocking Strip 侧挡水胶条
- ⑦ Door Handles 门把
- ⑧ Magnetism Strip 磁性胶条
- ⑨ Door Pivot 门转轴
- ⑩ Fixed Frame 固定支架
- ⑪ Acrylic Shower Tray 亚克力底座
- ⑫ Round-head Tapping Screw 自攻螺丝
- ⑬ Expansion Plastic Piece 膨胀胶粒
- ⑭ Drainer 去水器
- ⑮ Glass Connector 角码



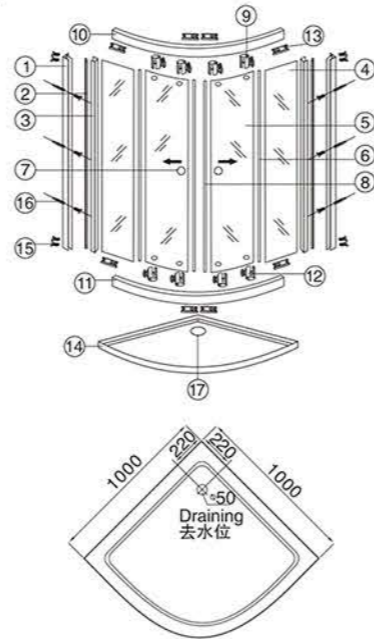


Model: ST-859

扇形二固一活推拉门 / Sliding door
 玻璃厚度: 6、8mm / Thickness of the glass: 6、8mm
 玻璃花纹: 可选择丝印玻璃图案 / Patterns on the glass: selectable patterns
 铝材颜色: 哑银、砂银、拉丝银、亮光、闪金、黑色
 Colors of aluminium material: Silver, Mat Silver Anodized, Hairline Silver, Silver Polished, Gold Polished, Black.
 Size: 1000 × 1000 × 1930mm / 900 × 900 × 1930mm / 800 × 800 × 1930mm

Name of Material / 材料名称

- ① Alum. wall jamb 靠墙铝材
- ② Shockproof Strip 防震胶条
- ③ Decorative Aluminum Profile 装饰铝材
- ④ Fixed Glass 固定玻璃
- ⑤ Movable Glass 活动玻璃
- ⑥ Side Water Blocking Strip 侧挡水胶条
- ⑦ Door Handles 门把
- ⑧ Magnetism Strip 磁性胶条
- ⑨ Upper Wheel 上滑轮
- ⑩ Alum. Of Up Rail 上轨道铝材
- ⑪ Alum. Of Down Rail 下轨道铝材
- ⑫ Lower Wheel 下滑轮
- ⑬ Positioning Plastic Piece 定位胶粒
- ⑭ Acrylic Shower Tray 亚克力底盆
- ⑮ Round-head Tapping Screw 自攻螺丝
- ⑯ Expansion Plastic Piece 膨胀胶粒
- ⑰ Drainer 去水器

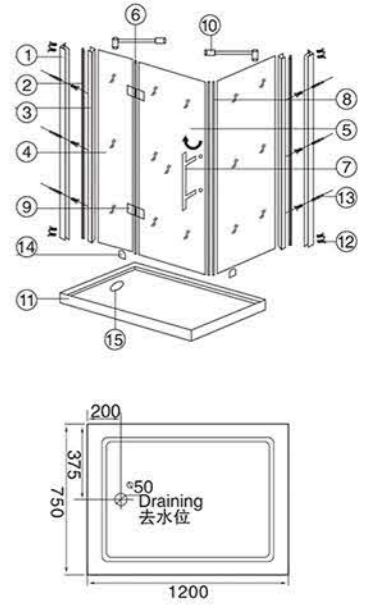


Model: ST-862

方形二固一活推拉门 / Sliding door
 玻璃厚度: 6、8mm / Thickness of the glass: 6、8mm
 玻璃花纹: 可选择丝印玻璃图案 / Patterns on the glass: selectable patterns
 铝材颜色: 哑银、砂银、拉丝银、亮光、闪金、黑色
 Colors of aluminium material: Silver, Mat Silver Anodized, Hairline Silver, Silver Polished, Gold Polished, Black.
 Size: 1200 × 750 × 1930mm
 1000 × 750 × 1930mm

Name of Material / 材料名称

- ① Alum. wall jamb 靠墙铝材
- ② Shockproof Strip 防震胶条
- ③ Decorative Aluminum Profile 装饰铝材
- ④ Fixed Glass 固定玻璃
- ⑤ Movable Glass 活动玻璃
- ⑥ Side Water Blocking Strip 侧挡水胶条
- ⑦ Door Handles 门把
- ⑧ Magnetism Strip 磁性胶条
- ⑨ Copper Hinges 全铜合页
- ⑩ Fixed Frame 固定支架
- ⑪ Acrylic Shower Tray 亚克力底盆
- ⑫ Round-head Tapping Screw 自攻螺丝
- ⑬ Expansion Plastic Piece 膨胀胶粒
- ⑭ Glass Connector 角码
- ⑮ Drainer 去水器

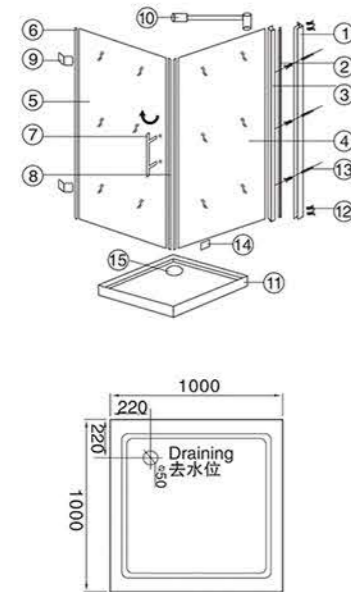


Model: ST-858

方形一固一活推拉门 / Sliding door
 玻璃厚度: 6、8mm / Thickness of the glass: 6、8mm
 玻璃花纹: 可选择丝印玻璃图案 / Patterns on the glass: selectable patterns
 铝材颜色: 哑银、砂银、拉丝银、亮光、闪金、黑色
 Colors of aluminium material: Silver, Mat Silver Anodized, Hairline Silver, Silver Polished, Gold Polished, Black.
 Size: 1000 × 1000 × 1930mm / 900 × 900 × 1930mm / 800 × 800 × 1930mm

Name of Material / 材料名称

- ① Alum. wall jamb 靠墙铝材
- ② Shockproof Strip 防震胶条
- ③ Decorative Aluminum Profile 装饰铝材
- ④ Fixed Glass 固定玻璃
- ⑤ Movable Glass 活动玻璃
- ⑥ Side Water Blocking Strip 侧挡水胶条
- ⑦ Door Handles 门把
- ⑧ Magnetism Strip 磁性胶条
- ⑨ Copper Hinges 全铜合页
- ⑩ Fixed Frame 固定支架
- ⑪ Acrylic Shower Tray 亚克力底盆
- ⑫ Round-head Tapping Screw 自攻螺丝
- ⑬ Expansion Plastic Piece 膨胀胶粒
- ⑭ Glass Connector 角码
- ⑮ Drainer 去水器

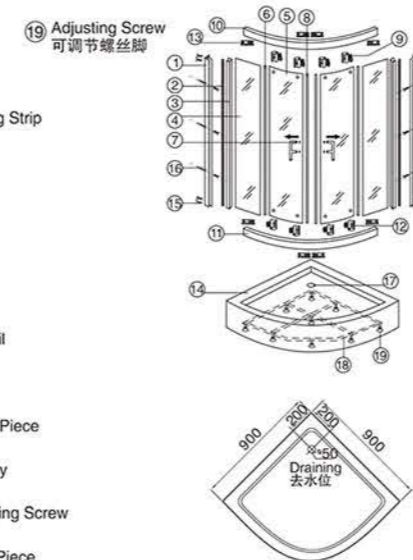


Model: ST-866

扇形二固一活推拉门 / sliding door
 玻璃厚度: 6、8mm / Thickness of the glass: 6、8mm
 玻璃花纹: 可选择丝印玻璃图案 / Patterns on the glass: selectable patterns
 铝材颜色: 哑银、砂银、拉丝银、亮光、闪金、黑色
 Colors of aluminium material: Silver, Mat Silver Anodized, Hairline Silver, Silver Polished, Gold Polished, Black.
 Size: 900 × 900 × 1930mm
 1000 × 1000 × 1930mm

Name of Material / 材料名称

- ① Alum. Wall Jamb 靠墙铝材
- ② Shockproof Strip 防震胶条
- ③ Decorative Aluminum Profile 装饰铝材
- ④ Fixed Glass 固定玻璃
- ⑤ Movable Glass 活动玻璃
- ⑥ Side Water Blocking Strip 侧挡水胶条
- ⑦ Door Handles 门把
- ⑧ Magnetism Strip 磁性胶条
- ⑨ Upper Wheel 上滑轮
- ⑩ Alum. Of Up Rail 上轨道铝材
- ⑪ Alum. Of Down Rail 下轨道铝材
- ⑫ Lower Wheel 下滑轮
- ⑬ Positioning Plastic Piece 定位胶粒
- ⑭ Acrylic Shower Tray 亚克力底盆
- ⑮ Round-head Tapping Screw 自攻螺丝
- ⑯ Expansion Plastic Piece 膨胀胶粒
- ⑰ Drainer 去水器
- ⑱ Stainless Steel Bracket 不锈钢支架
- ⑲ Adjusting Screw 可调节螺丝脚



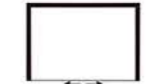
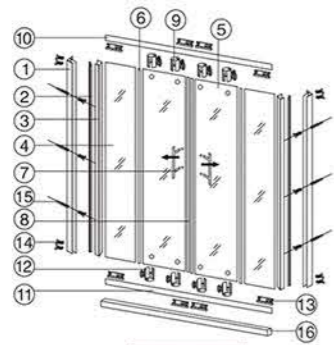
Model: ST-880 趟门

屏风二扇二活推拉门 / Sliding door
 玻璃厚度: 6、8mm / Thickness of the glass: 6、8mm
 玻璃花纹: 可选择丝印玻璃图案 / Patterns on the glass: selectable patterns
 铝材颜色: 哑银、砂银、拉丝银、亮光、闪金、黑色
 Colors of aluminium material: Silver, Mat Silver Anodized, Hairline Silver, Silver Polished, Gold Polished, Black.

可非标订做
 Customization Size Acceptable

Name of Material / 材料名称

- ① Alum. Wall Jamb 靠墙铝材
- ② Shockproof Strip 防震胶条
- ③ Decorative Aluminum Profile 装饰铝材
- ④ Fixed Glass 固定玻璃
- ⑤ Movable Glass 活动玻璃
- ⑥ Side Water Blocking Strip 侧挡水胶条
- ⑦ Door Handles 门把
- ⑧ Magnetism Strip 磁性胶条
- ⑨ Upper Wheel 上滑轮
- ⑩ Alum. Of Up Rail 上轨道铝材
- ⑪ Alum. Of Down Rail 下轨道铝材
- ⑫ Lower Wheel 下滑轮
- ⑬ Positioning Plastic Piece 定位胶粒
- ⑭ Round-head Tapping Screw 自攻螺丝
- ⑮ Expansion Plastic Piece 膨胀胶粒
- ⑯ Artificial Marble Made Jamb Stone 人造大理石门踏



Bathroom Chair



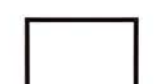
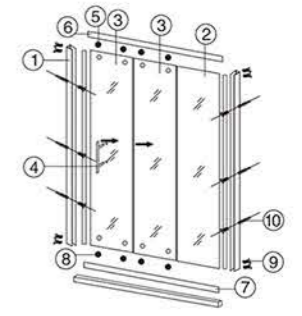
Model: ST-883

连动门 / Sliding door
 玻璃厚度: 6、8mm / Thickness of the glass: 6、8mm
 玻璃花纹: 可选择丝印玻璃图案 / Patterns on the glass: selectable patterns
 铝材颜色: 哑银、砂银、拉丝银、亮光、闪金、黑色
 Colors of aluminium material: Silver, Mat Silver Anodized, Hairline Silver, Silver Polished, Gold Polished, Black.

可非标订做
 Customization Size Acceptable

Name of Material / 材料名称

- ① Alum. Wall Jamb 靠墙铝材
- ② Fixed Glass 固定玻璃
- ③ Movable Glass 活动玻璃
- ④ Door Handles 门把
- ⑤ Upper Wheel 上滑轮
- ⑥ Alum. Of Up Rail 上轨道铝材
- ⑦ Alum. Of Down Rail 下轨道铝材
- ⑧ Lower Wheel 下滑轮
- ⑨ Round-head Tapping Screw 自攻螺丝
- ⑩ Expansion Plastic Piece 膨胀胶粒



Bathroom Chair



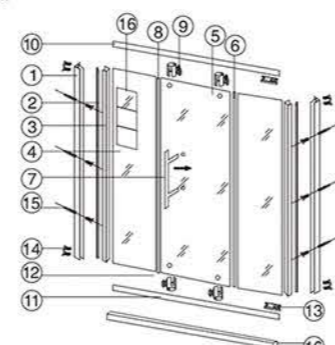
Model: ST-881 趟门

屏风二扇一活推拉门 / Sliding door
 玻璃厚度: 6、8mm / Thickness of the glass: 6、8mm
 玻璃花纹: 可选择丝印玻璃图案 / Patterns on the glass: selectable patterns
 铝材颜色: 哑银、砂银、拉丝银、亮光、闪金、黑色
 Colors of aluminium material: Silver, Mat Silver Anodized, Hairline Silver, Silver Polished, Gold Polished, Black.

可非标订做
 Customization Size Acceptable

Name of Material / 材料名称

- ① Alum. Wall Jamb 靠墙铝材
- ② Shockproof Strip 防震胶条
- ③ Decorative Aluminum Profile 装饰铝材
- ④ Fixed Glass 固定玻璃
- ⑤ Movable Glass 活动玻璃
- ⑥ Side Water Blocking Strip 侧挡水胶条
- ⑦ Door Handles 门把
- ⑧ Magnetism Strip 磁性胶条
- ⑨ Upper Wheel 上滑轮
- ⑩ Alum. Of Up Rail 上轨道铝材
- ⑪ Alum. Of Down Rail 下轨道铝材
- ⑫ Lower Wheel 下滑轮
- ⑬ Positioning Plastic Piece 定位胶粒
- ⑭ Round-head Tapping Screw 自攻螺丝
- ⑮ Expansion Plastic Piece 膨胀胶粒
- ⑯ Artificial Marble Made Jamb Stone 人造大理石门踏
- ⑰ Layer Rack 置物架



Bathroom Chair

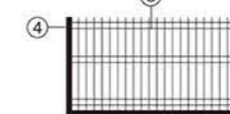
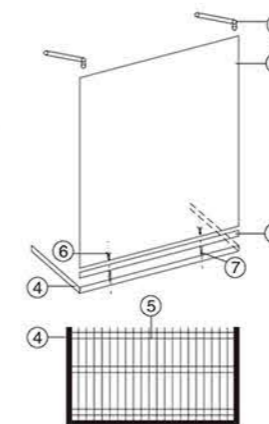
Model: ST-885

挡水门 / Sliding door
 玻璃厚度: 8、10mm / Thickness of the glass: 8、10mm
 玻璃花纹: 可选择丝印玻璃图案 / Patterns on the glass: selectable patterns
 材质: 304#不锈钢
 Texture of material: 304 Stainless steel

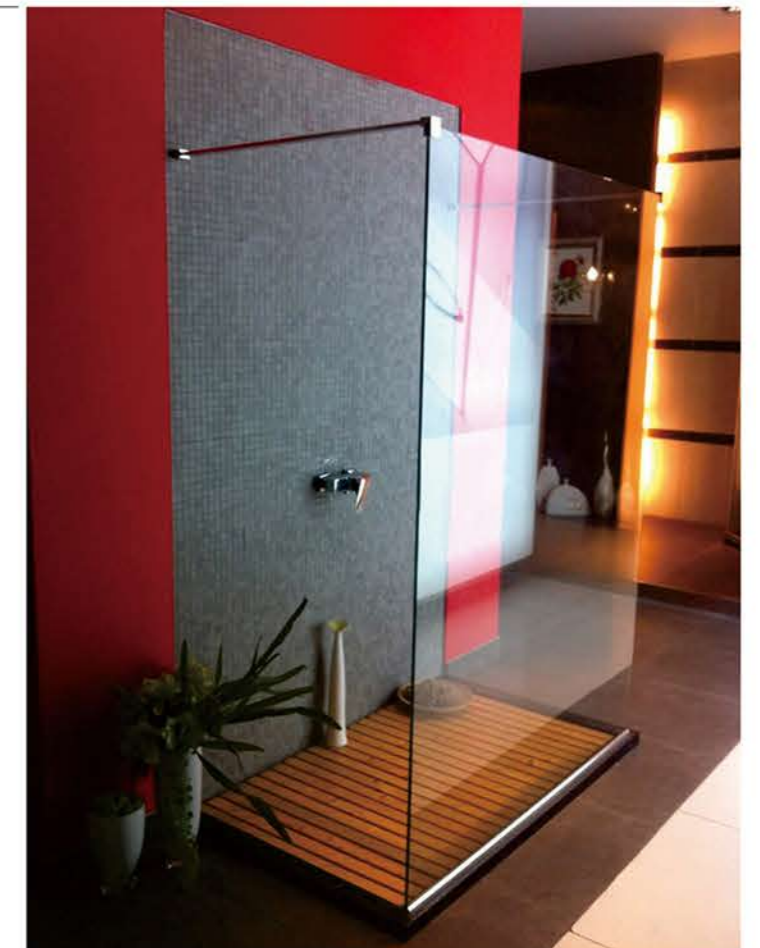
可非标订做
 Customization Size Acceptable

Name of Material / 材料名称

- ① Fixed Glass 固定玻璃
- ② Fixed Frame 固定支架
- ③ Stainless Steel 不锈钢
- ④ Artificial Marble Made Jamb Stone 人造大理石门踏
- ⑤ Finland wood Shower Tray 芬兰木底座
- ⑥ Round-head Tapping Screw 自攻螺丝
- ⑦ Expansion Plastic Piece 膨胀胶粒



Bathroom Chair





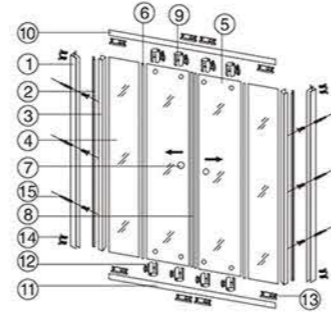
订做B 趟门 OEM B Shower enclosure

屏风二固一活推拉门 / Sliding door
玻璃厚度: 6、8mm / Thickness of the glass: 6、8mm
玻璃花纹: 可选择丝印玻璃图案 / Patterns on the glass: selectable patterns
铝材颜色: 哑银、砂银、拉丝银、亮光、闪金、黑色
Colors of aluminium material: Silver, Mat Silver Anodized, Hairline Silver, Silver Polished, Gold Polished, Black.

可非标订做
Customization Size Acceptable

Name of Material / 材料名称

- ① Alum. Wall Jamb 靠墙铝材
- ② Shockproof Strip 防震胶条
- ③ Decorative Aluminum Profile 装饰铝材
- ④ Fixed Glass 固定玻璃
- ⑤ Movable Glass 活动玻璃
- ⑥ Side Water Blocking Strip 侧挡水胶条
- ⑦ Door Handles 门把
- ⑧ Magnetism Strip 磁性胶条
- ⑨ Upper Wheel 上滑轮
- ⑩ Alum. Of Up Rail 上轨道铝材
- ⑪ Alum. Of Down Rail 下轨道铝材
- ⑫ Lower Wheel 下滑轮
- ⑬ Positioning Plastic Piece 定位胶粒
- ⑭ Round-head Tapping Screw 自攻螺丝
- ⑮ Expansion Plastic Piece 膨胀胶粒



Bathroom Chair

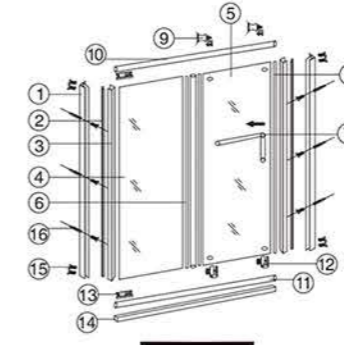
订做E 趟门 OEM E Shower enclosure

屏风一固一活推拉门 / Sliding door
玻璃厚度: 6、8mm / Thickness of the glass: 6、8mm
玻璃花纹: 可选择丝印玻璃图案 / Patterns on the glass: selectable patterns
铝材颜色: 哑银、砂银、拉丝银、亮光、闪金、黑色
Colors of aluminium material: Silver, Mat Silver Anodized, Hairline Silver, Silver Polished, Gold Polished, Black.

可非标订做
Customization Size Acceptable

Name of Material / 材料名称

- ① Alum. Wall Jamb 靠墙铝材
- ② Shockproof Strip 防震胶条
- ③ Decorative Aluminum Profile 装饰铝材
- ④ Fixed Glass 固定玻璃
- ⑤ Movable Glass 活动玻璃
- ⑥ Side Water Blocking Strip 侧挡水胶条
- ⑦ Door Handles 门把
- ⑧ Magnetism Strip 磁性胶条
- ⑨ Silent Chain Wheel 静音滑轮
- ⑩ Alum. Of Up Rail 上轨道铝材
- ⑪ Alum. Of Down Rail 下轨道铝材
- ⑫ Lower Wheel 下滑轮
- ⑬ Positioning Plastic Piece 定位胶粒
- ⑭ Artificial Marble Made Jamb Stone 人造大理石门踏
- ⑮ Round-head Tapping Screw 自攻螺丝
- ⑯ Expansion Plastic Piece 膨胀胶粒



Bathroom Chair



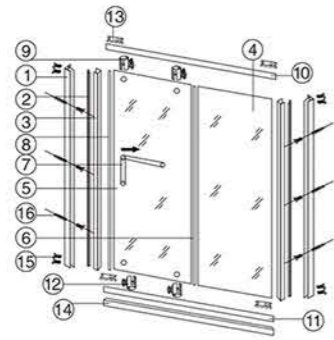
订做C 趟门 OEM C Shower enclosure

屏风一固一活推拉门 / Sliding door
玻璃厚度: 6、8mm / Thickness of the glass: 6、8mm
玻璃花纹: 可选择丝印玻璃图案 / Patterns on the glass: selectable patterns
铝材颜色: 哑银、砂银、拉丝银、亮光、闪金、黑色
Colors of aluminium material: Silver, Mat Silver Anodized, Hairline Silver, Silver Polished, Gold Polished, Black.

可非标订做
Customization Size Acceptable

Name of Material / 材料名称

- ① Alum. Wall Jamb 靠墙铝材
- ② Shockproof Strip 防震胶条
- ③ Decorative Aluminum Profile 装饰铝材
- ④ Fixed Glass 固定玻璃
- ⑤ Movable Glass 活动玻璃
- ⑥ Side Water Blocking Strip 侧挡水胶条
- ⑦ Door Handles 门把
- ⑧ Magnetism Strip 磁性胶条
- ⑨ Upper Wheel 上滑轮
- ⑩ Alum. Of Up Rail 上轨道铝材
- ⑪ Alum. Of Down Rail 下轨道铝材
- ⑫ Lower Wheel 下滑轮
- ⑬ Positioning Plastic Piece 定位胶粒
- ⑭ Artificial Marble Made Jamb Stone 人造大理石门踏
- ⑮ Round-head Tapping Screw 自攻螺丝
- ⑯ Expansion Plastic Piece 膨胀胶粒



Bathroom Chair



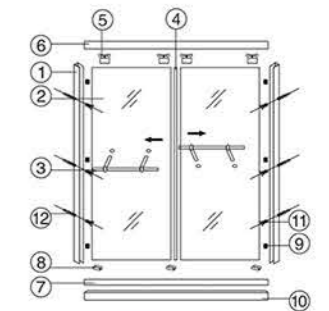
订做F 趟门 OEM F Shower enclosure

屏风二活推拉门 / Hanging Door
玻璃厚度: 6、8mm / Thickness of the glass: 6、8mm
玻璃花纹: 可选择丝印玻璃图案 / Patterns on the glass: selectable patterns
铝材颜色: 哑银、砂银、拉丝银、亮光、闪金、黑色
Colors of aluminium material: Silver, Mat Silver Anodized, Hairline Silver, Silver Polished, Gold Polished, Black.

可非标订做
Customization Size Acceptable

Name of Material / 材料名称

- ① Alum. Wall Jamb 靠墙铝材
- ② Movable Glass 活动玻璃
- ③ Door Handles 门把
- ④ Magnetism Strip 磁性胶条
- ⑤ Upper Wheel 上滑轮
- ⑥ Alum. Of Up Rail 上轨道铝材
- ⑦ Alum. Of Down Rail 下轨道铝材
- ⑧ Slider 滑块
- ⑨ Bumper block 防撞块
- ⑩ Artificial Marble Made Jamb Stone 人造大理石门踏
- ⑪ Round-head Tapping Screw 自攻螺丝
- ⑫ Expansion Plastic Piece 膨胀胶粒



Bathroom Chair

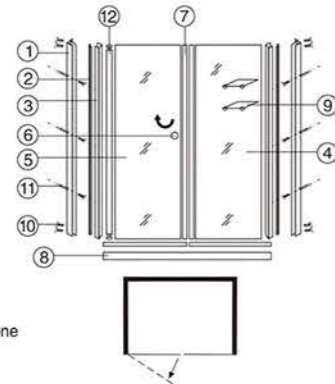
订做I 趟门 OEM I Shower enclosure

屏风旋转门 / Sliding door
玻璃厚度: 6、8mm / Thickness of the glass: 6、8mm
玻璃花纹: 可选择丝印玻璃图案 / Patterns on the glass: selectable patterns
铝材颜色: 哑银、砂银、拉丝银、亮光、闪金、黑色
Colors of aluminium material: Silver, Mat Silver Anodized, Hairline Silver, Silver Polished, Gold Polished, Black.

可非标订做
Customization Size Acceptable

Name of Material / 材料名称

- ① Alum. Wall Jamb 靠墙铝材
- ② Shockproof Strip 防震胶条
- ③ Decorative Aluminum Profile 装饰铝材
- ④ Fixed Glass 固定玻璃
- ⑤ Movable Glass 活动玻璃
- ⑥ Door Handles 门把
- ⑦ Magnetism Strip 磁性胶条
- ⑧ Artificial Marble Made Jamb Stone 人造大理石门踏
- ⑨ Glass Shelf 玻璃置物架
- ⑩ Round-head Tapping Screw 自攻螺丝
- ⑪ Expansion Plastic Piece 膨胀胶粒
- ⑫ Door Pivot 门转轴



Bathroom Chair



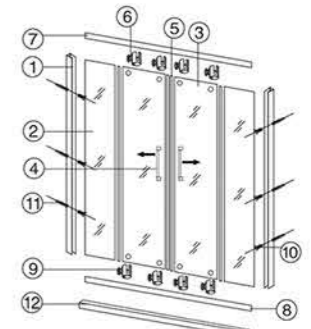
订做T 不锈钢趟门 OEM T Shower enclosure

屏风二扇二活推拉门 / Sliding door
玻璃厚度: 8、10mm / Thickness of the glass: 8、10mm
玻璃花纹: 可选择丝印玻璃图案 / Patterns on the glass: selectable patterns
材质: 304#不锈钢
Texture of material: 304 Stainless steel

可非标订做
Customization Size Acceptable

Name of Material / 材料名称

- ① Wall Stainless Steel 靠墙不锈钢
- ② Fixed Glass 固定玻璃
- ③ Movable Glass 活动玻璃
- ④ Door Handles 门把
- ⑤ Magnetism Strip 磁性胶条
- ⑥ Upper Wheel 上滑轮
- ⑦ Up Rail Stainless Steel 上轨道不锈钢
- ⑧ Down Rail Stainless Steel 下轨道不锈钢
- ⑨ Lower Wheel 下滑轮
- ⑩ Round-head Tapping Screw 自攻螺丝
- ⑪ Expansion Plastic Piece 膨胀胶粒
- ⑫ Artificial Marble Made Jamb Stone 人造大理石门踏



Bathroom Chair



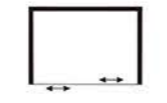
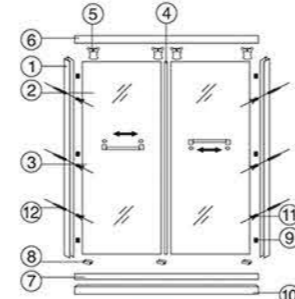
订做R 趟门 OEM R Shower enclosure

屏风二活推拉门 / Hanging Door
玻璃厚度: 8、10mm / Thickness of the glass: 8、10mm
玻璃花纹: 可选择丝印玻璃图案 / Patterns on the glass: selectable patterns
材质: 304#不锈钢
Texture of material: 304 Stainless steel

可非标订做
Customization Size Acceptable

Name of Material / 材料名称

- ① Wall Stainless Steel 靠墙不锈钢
- ② Movable Glass 活动玻璃
- ③ Door Handles 门把
- ④ Magnetism Strip 磁性胶条
- ⑤ Upper Wheel 上滑轮
- ⑥ Up Rail Stainless Steel 上轨道不锈钢
- ⑦ Down Rail Stainless Steel 下轨道不锈钢
- ⑧ Slider 滑块
- ⑨ Bumper block 防撞块
- ⑩ Artificial Marble Made Jamb Stone 人造大理石门踏
- ⑪ Round-head Tapping Screw 自攻螺丝
- ⑫ Expansion Plastic Piece 膨胀胶粒



Bathroom Chair

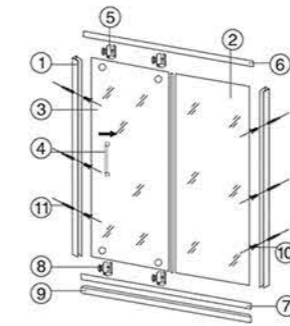
订做U 不锈钢趟门 OEM U Shower enclosure

屏风一扇一活推拉门 / Sliding door
玻璃厚度: 8、10mm / Thickness of the glass: 8、10mm
玻璃花纹: 可选择丝印玻璃图案 / Patterns on the glass: selectable patterns
材质: 304#不锈钢
Texture of material: 304 Stainless steel

可非标订做
Customization Size Acceptable

Name of Material / 材料名称

- ① Wall Stainless Steel 靠墙不锈钢
- ② Fixed Glass 固定玻璃
- ③ Movable Glass 活动玻璃
- ④ Door Handles 门把
- ⑤ Upper Wheel 上滑轮
- ⑥ Up Rail Stainless Steel 上轨道不锈钢
- ⑦ Down Rail Stainless Steel 下轨道不锈钢
- ⑧ Lower Wheel 下滑轮
- ⑨ Artificial Marble Made Jamb Stone 人造大理石门踏
- ⑩ Round-head Tapping Screw 自攻螺丝
- ⑪ Expansion Plastic Piece 膨胀胶粒



Bathroom Chair



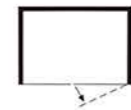
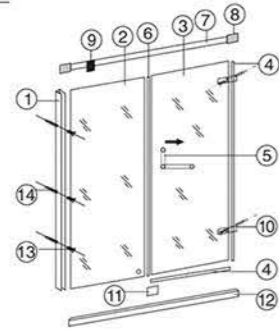
订做V 趟门
OEM V Shower enclosure

屏风一固一活推拉门 / Sliding door
玻璃厚度: 8、10mm / Thickness of the glass: 8、10mm
玻璃花纹: 可选择丝网玻璃图案 / Patterns on the glass: selectable patterns
材质: 304#不锈钢
Texture of material: 304 Stainless steel

可非标订做
Customization Size Acceptable

Name of Material / 材料名称

- ① Wall Stainless Steel 靠墙不锈钢
- ② Fixed Glass 固定玻璃
- ③ Movable Glass 活动玻璃
- ④ Water Blocking Strip 挡水胶条
- ⑤ Door Handles 门把
- ⑥ Magnetism Strip 磁性胶条
- ⑦ Drawbar 拉杆
- ⑧ Fixed clamp 固定夹
- ⑨ Fixed glass clip 固定玻璃夹
- ⑩ Copper Hinges 全铜合页
- ⑪ Fixed button 固定扣
- ⑫ Artificial Marble Made Jamb Stone 人造大理石门踏
- ⑬ Round-head Tapping Screw 自攻螺丝
- ⑭ Expansion Plastic Piece 膨胀胶粒



Bathroom Chair



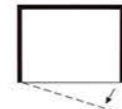
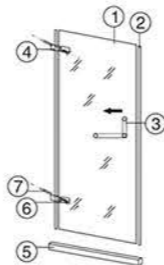
Model: ST-886

屏风一固一活推拉门 / Sliding door
玻璃厚度: 8、10mm / Thickness of the glass: 8、10mm
玻璃花纹: 可选择丝网玻璃图案 / Patterns on the glass: selectable patterns
材质: 304#不锈钢
Texture of material: 304 Stainless steel

可非标订做
Customization Size Acceptable

Name of Material / 材料名称

- ① Movable Glass 活动玻璃
- ② Water Blocking Strip 挡水胶条
- ③ Door Handles 门把
- ④ Copper Hinges 全铜合页
- ⑤ Artificial Marble Made Jamb Stone 人造大理石门踏
- ⑥ Round-head Tapping Screw 自攻螺丝
- ⑦ Expansion Plastic Piece 膨胀胶粒



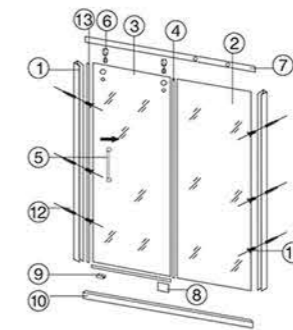
Bathroom Chair



订做Y 趟门
OEM Y Shower enclosure

屏风一固一活推拉门 / Sliding door
玻璃厚度: 8、10mm / Thickness of the glass: 8、10mm
玻璃花纹: 可选择丝网玻璃图案 / Patterns on the glass: selectable patterns
材质: 304#不锈钢
Texture of material: 304 Stainless steel

可非标订做
Customization Size Acceptable



Name of Material / 材料名称

- ① Wall Stainless Steel 靠墙不锈钢
- ② Fixed Glass 固定玻璃
- ③ Movable Glass 活动玻璃
- ④ Water Blocking Strip 挡水胶条
- ⑤ Door Handles 门把
- ⑥ Upper Wheel 上滑轮
- ⑦ Up Rail Stainless Steel 上轨道不锈钢
- ⑧ Fixed button 固定扣
- ⑨ Slider 滑块
- ⑩ Artificial Marble Made Jamb Stone 人造大理石门踏
- ⑪ Round-head Tapping Screw 自攻螺丝
- ⑫ Expansion Plastic Piece 膨胀胶粒
- ⑬ Magnetism Strip 磁性胶条



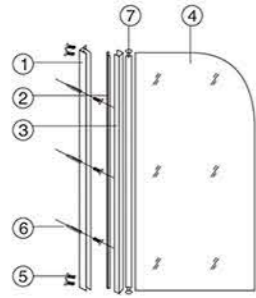
订做L 浴缸挡水门 OEM L Shower enclosure

玻璃厚度: 6、8mm / Thickness of the glass: 6、8mm
 玻璃花纹: 可选择丝网玻璃图案 / Patterns on the glass: selectable patterns
 铝材颜色: 哑银、砂银、拉丝银、亮光、闪金、黑色
 Colors of aluminium material: Silver, Mat Silver Anodized, Hairline Silver, Silver Polished, Gold Polished, Black.

可非标订做
 Customization Size Acceptable

Name of Material / 材料名称

- ① Alum. Wall Jamb
靠墙铝材
- ② Shockproof Strip
防震胶条
- ③ Decorative Aluminum Profile
装饰铝材
- ④ Movable Glass
活动玻璃
- ⑤ Round-head Tapping Screw
自攻螺丝
- ⑥ Expansion Plastic Piece
膨胀胶粒
- ⑦ Door Pivot
门转轴



Model:SN-C001



Model:SN-C002



Model:SN-C003



Model:SN-C005



Model:SN-C006



Model:SN-C007



Model:SN-C008



Model:SN-C009



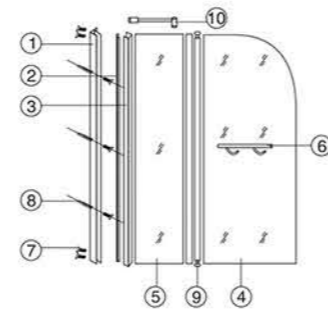
订做M 浴缸挡水门 OEM M Shower enclosure

玻璃厚度: 6、8mm / Thickness of the glass: 6、8mm
 玻璃花纹: 可选择丝网玻璃图案 / Patterns on the glass: selectable patterns
 铝材颜色: 哑银、砂银、拉丝银、亮光、闪金、黑色
 Colors of aluminium material: Silver, Mat Silver Anodized, Hairline Silver, Silver Polished, Gold Polished, Black.

可非标订做
 Customization Size Acceptable

Name of Material / 材料名称

- ① Alum. Wall Jamb
靠墙铝材
- ② Shockproof Strip
防震胶条
- ③ Decorative Aluminum Profile
装饰铝材
- ④ Movable Glass
活动玻璃
- ⑤ Fixed Glass
固定玻璃
- ⑥ Door Handles
门把
- ⑦ Round-head Tapping Screw
自攻螺丝
- ⑧ Expansion Plastic Piece
膨胀胶粒
- ⑨ Door Pivot
门转轴
- ⑩ Fixed Frame
固定支架



Model:SN-C010



Model:SN-C011



Model:SN-C012



Model:SN-C013

铝材色板



砂金 光黑 闪银 砂灰 香槟金 闪银白 钢灰 闪绿 砂黑



扇形 40×60mm 可非标订做 全弧 40×60mm 可非标订做 直条 40×60mm 可非标订做 方形 40×60mm 可非标订做 钻石形 40×60mm 可非标订做 异形 40×60mm 可非标订做



L-72 白米黄

L-73 古珀纹

L-74 黑金花

L-75 黑色

L-76 浅啡网

L-77 黑花纹

L-78 黑金沙

L-79 古铜色

L-80 杭灰花



L-29

L-30

L-31

L-32

L-33

L-35

L-36

L-37

L-38



L-39

L-40

L-41

L-51

L-52

L-53

L-54

L-55



L-42

L-43

L-45

L-46

L-47

L-48

L-49

L-50



L-56

L-57

L-58

L-59

L-60

L-61

L-62



L-01

L-02

L-03

L-05

L-06

L-07

L-08



L-09

L-10

L-11

L-12



L-13

L-15

L-16

L-17

L-18

L-19



L-20

L-21

L-22

L-23

L-25

L-26

L-27

L-28



L-63

L-64

L-65

L-66

L-67

L-68



L-69

L-70

L-71